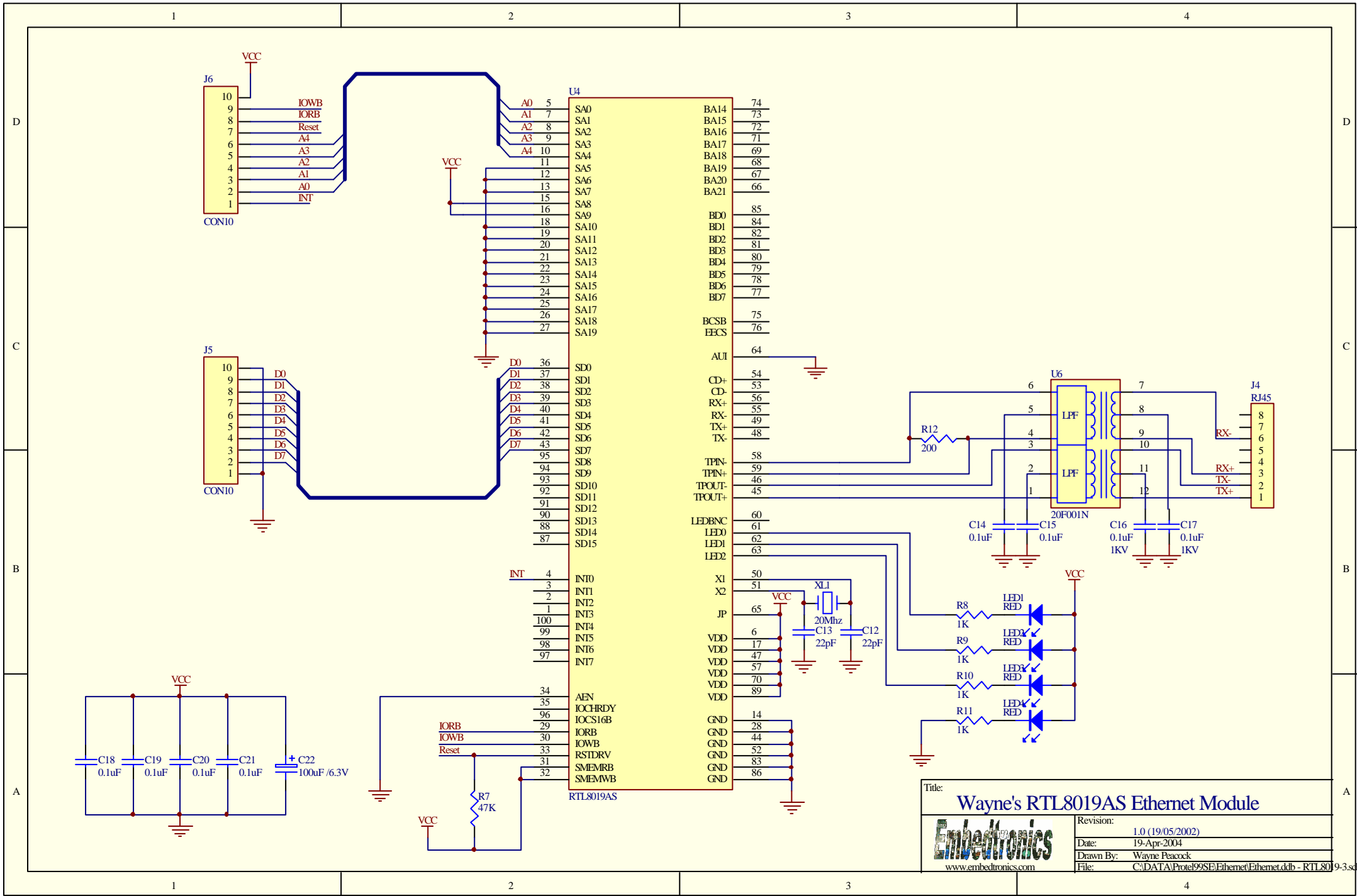


Note: C14, C15, C16, C17 & R12 on Bottom Side



Title: **Wayne's RTL8019AS Ethernet Module**

Embedtronics

Revision: 1.0 (19/05/2002)
 Date: 19-Apr-2004
 Drawn By: Wayne Peacock
 File: C:\DATA\Proj\99SE\Ethernet\Ethernet.ddb - RTL8019-3.sch

www.embedtronics.com