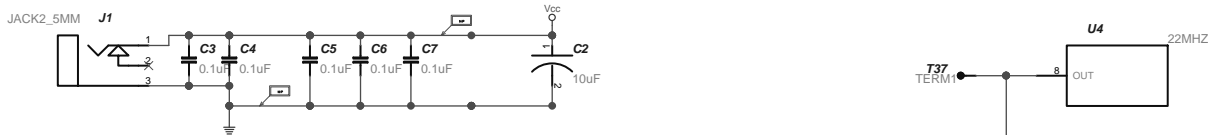
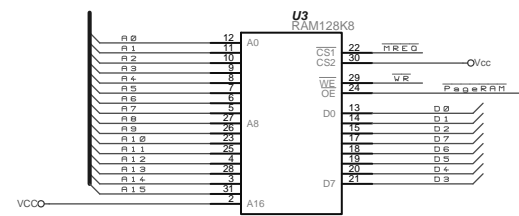


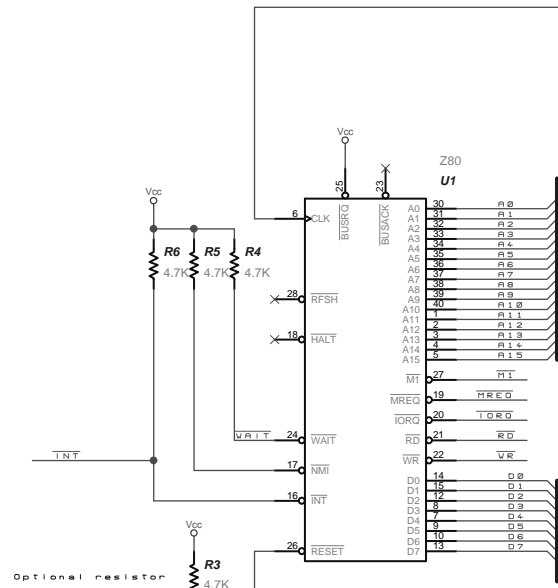
A



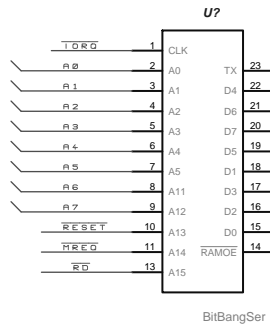
B



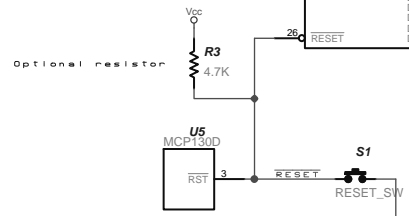
C



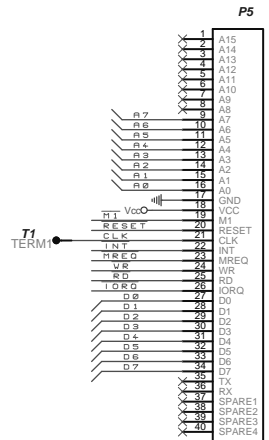
D



E



BB80  
Rev 0 12/10/23  
(C) H. Shen, 2023



ZBUS-40