



Copyright (c) 2015 John R Coffman
 Licensed for hobbyist use only. All other rights reserved.

NSVEM Users' Group

File: ECB-vga3.sch

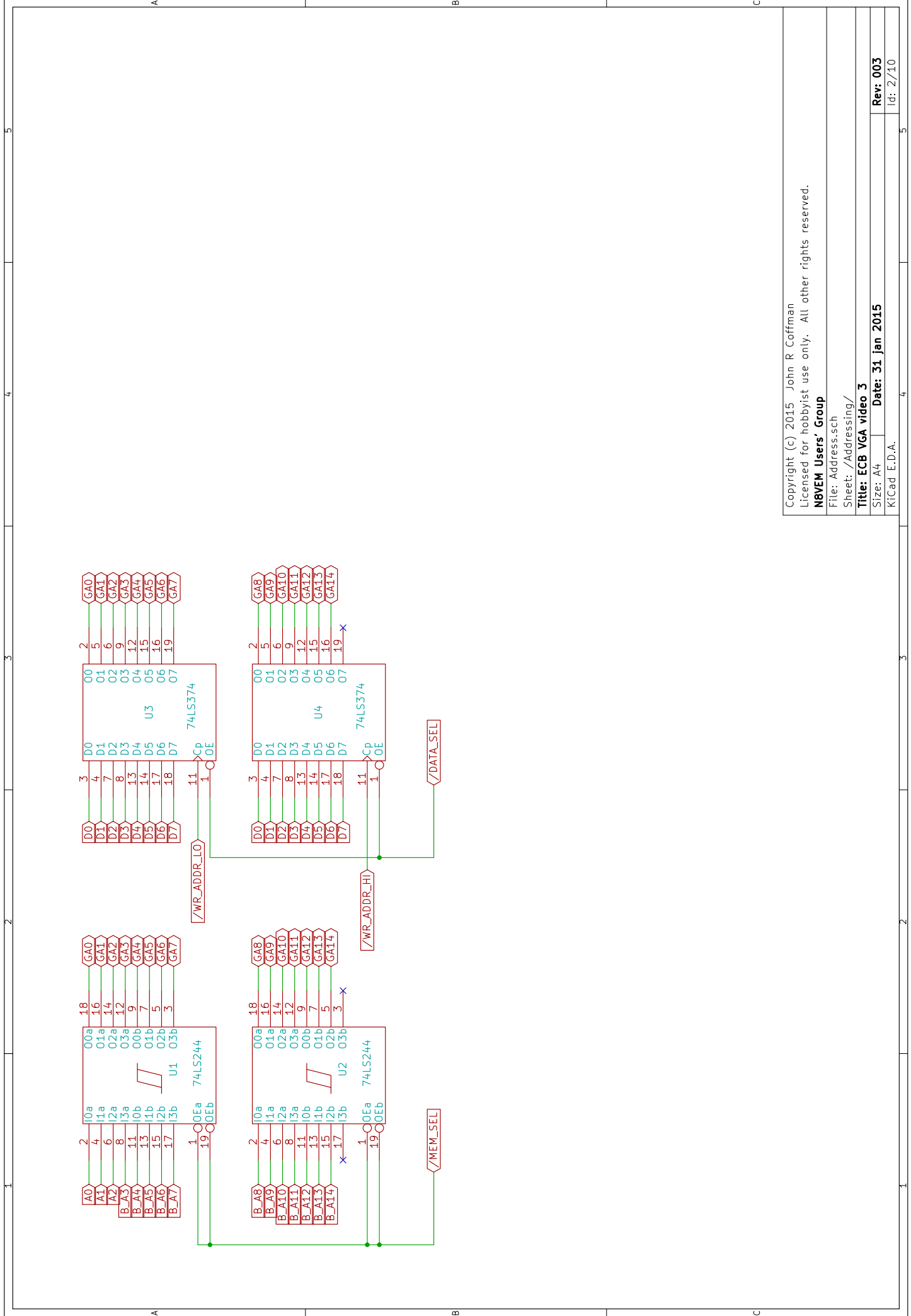
Sheet: /

Title: **ECB VGA video 3**

Size: A4 Date: **31 Jan 2015**

Rev: **003**

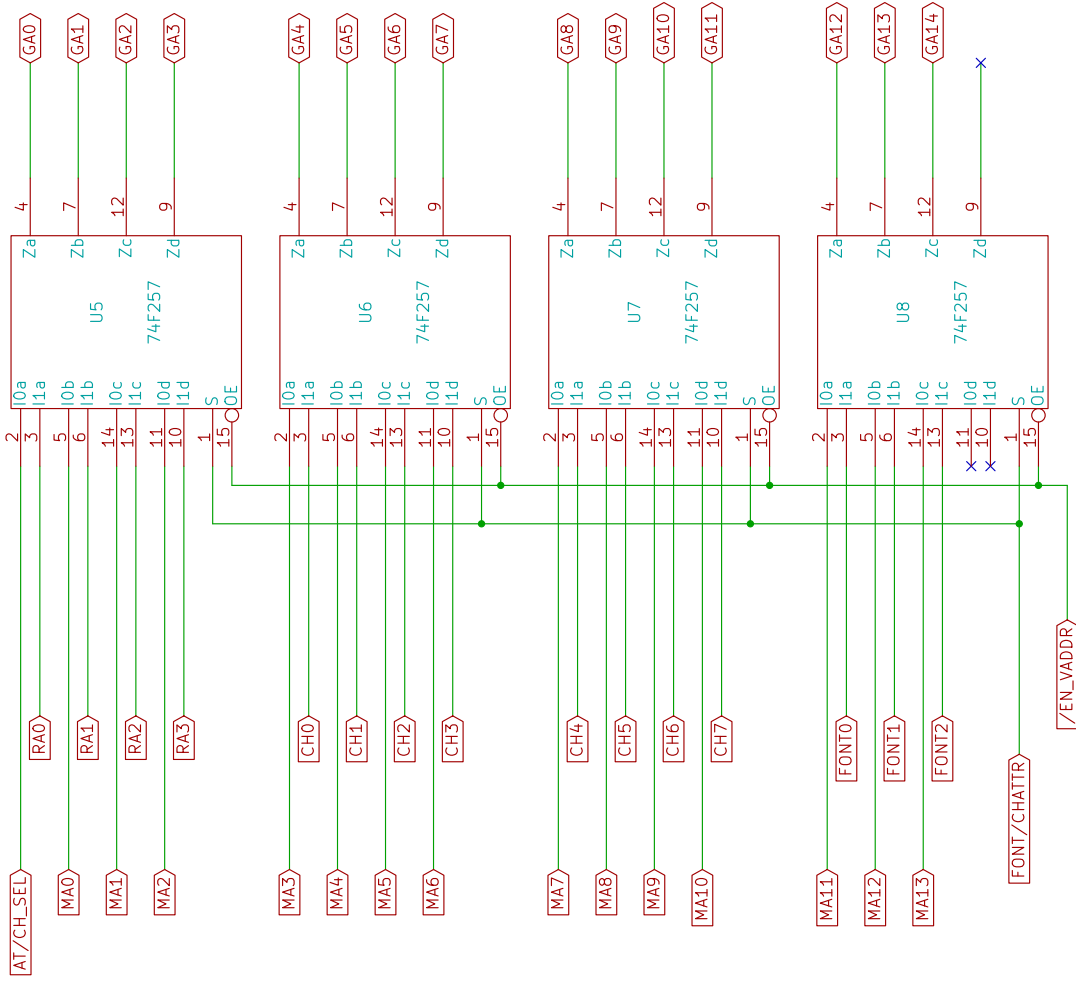
Id: 1/10



Copyright (c) 2015 John R Coffman
 Licensed for hobbyist use only. All other rights reserved.

NBVM Users' Group
 File: Address.sch
 Sheet: /Addressing/
Title: ECB VGA video 3
 Size: A4 Date: 31 Jan 2015
 KiCad E.D.A. Rev: 003
 Id: 2/10

VIDEO ADDRESS MULTIPLEXOR



Copyright (c) 2015 John R Coffman
 Licensed for hobbyist use only. All other rights reserved.

NBVM Users' Group

File: DataFlow.sch

Sheet: /Data Flow/

Title: **ECB VGA video 3**

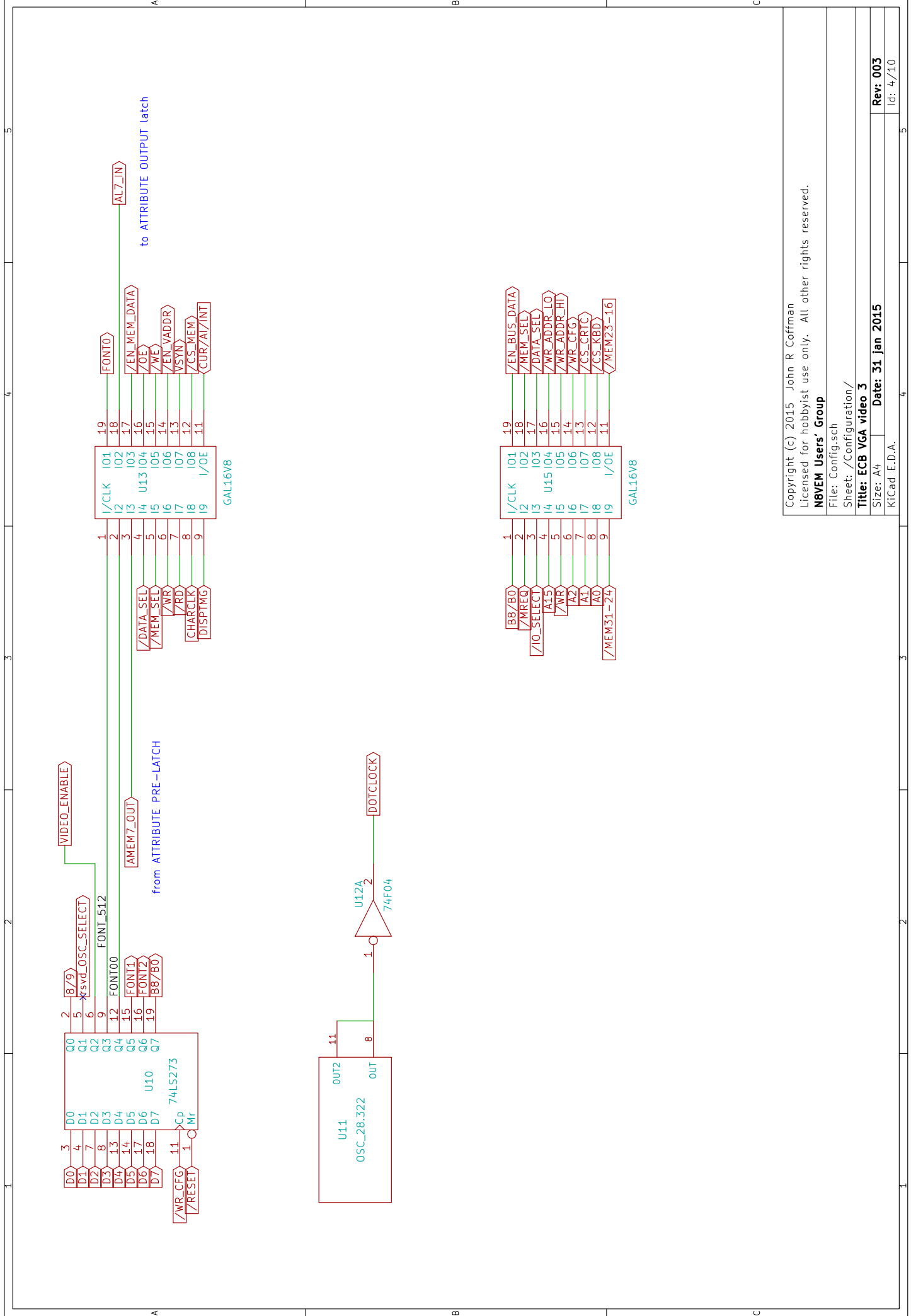
Size: A4

Date: **31 Jan 2015**

KiCad E.D.A.

Rev: **003**

Id: 3/10



Copyright (c) 2015 John R Coffman
 Licensed for hobbyist use only. All other rights reserved.

NBVM Users' Group

File: Config.sch

Sheet: /Configuration/

Title: ECB VGA video 3

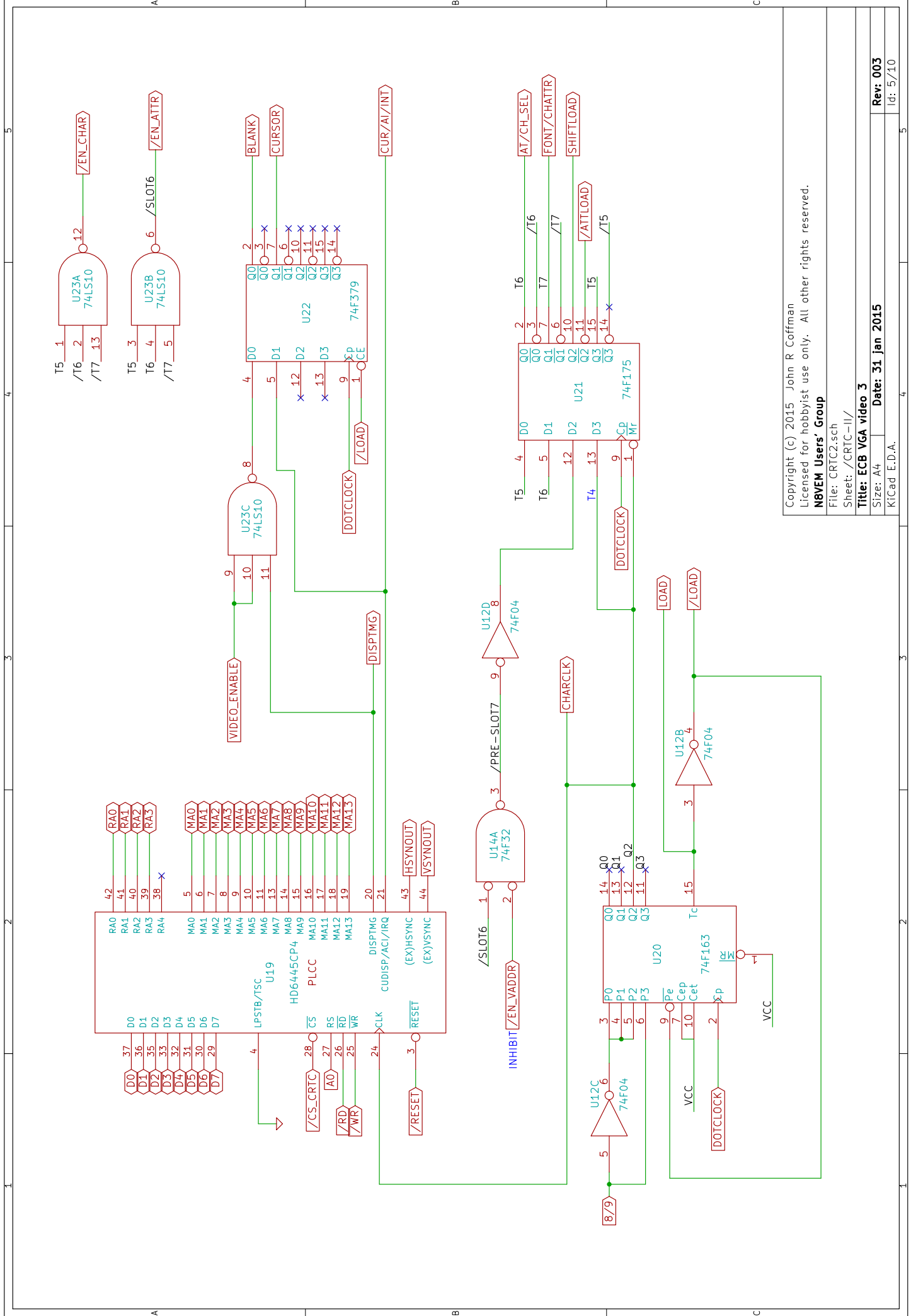
Size: A4

Date: 31 Jan 2015

KiCad E.D.A.

Rev: 003

Id: 4/10



Copyright (c) 2015 John R Coffman
 Licensed for hobbyist use only. All other rights reserved.

NRVEM Users' Group

File: CRTC2.sch

Sheet: /CRTC-1/

Title: ECB VGA video 3

Size: A4

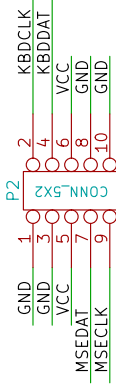
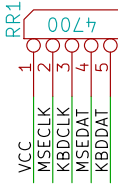
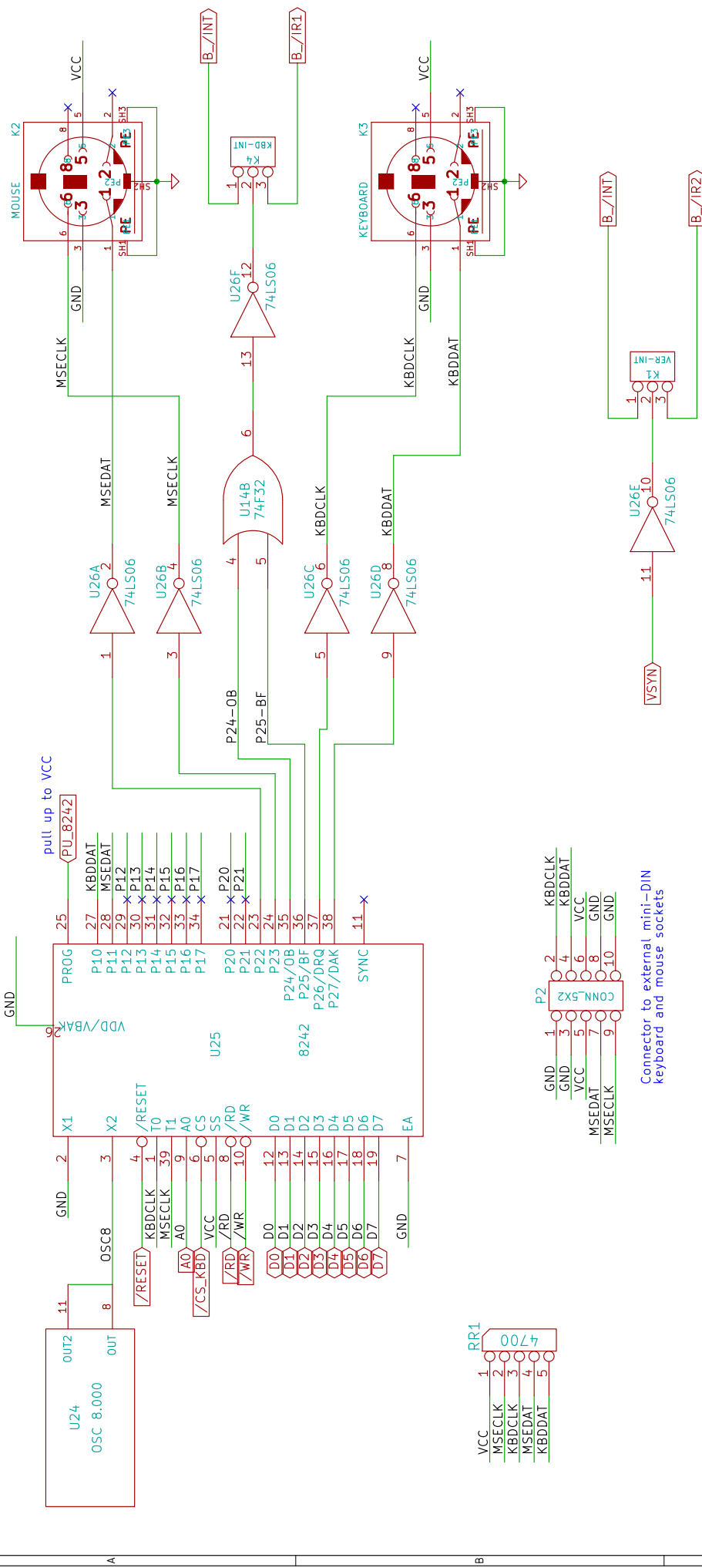
Date: 31 Jan 2015

KiCad E.D.A.

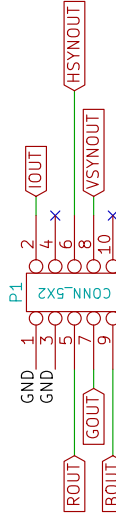
Rev: 003

Id: 5/10

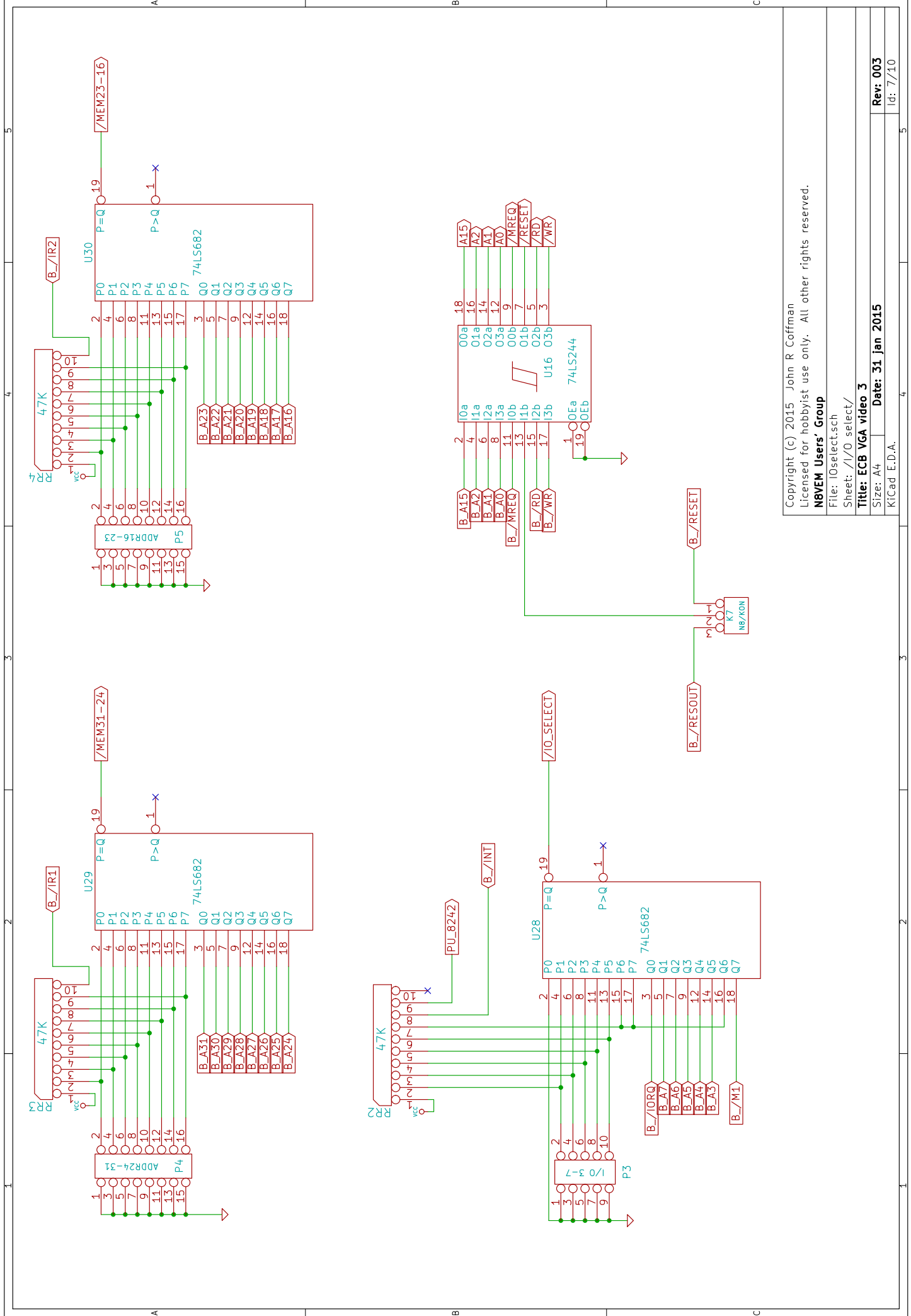
KEYBOARD AND MOUSE



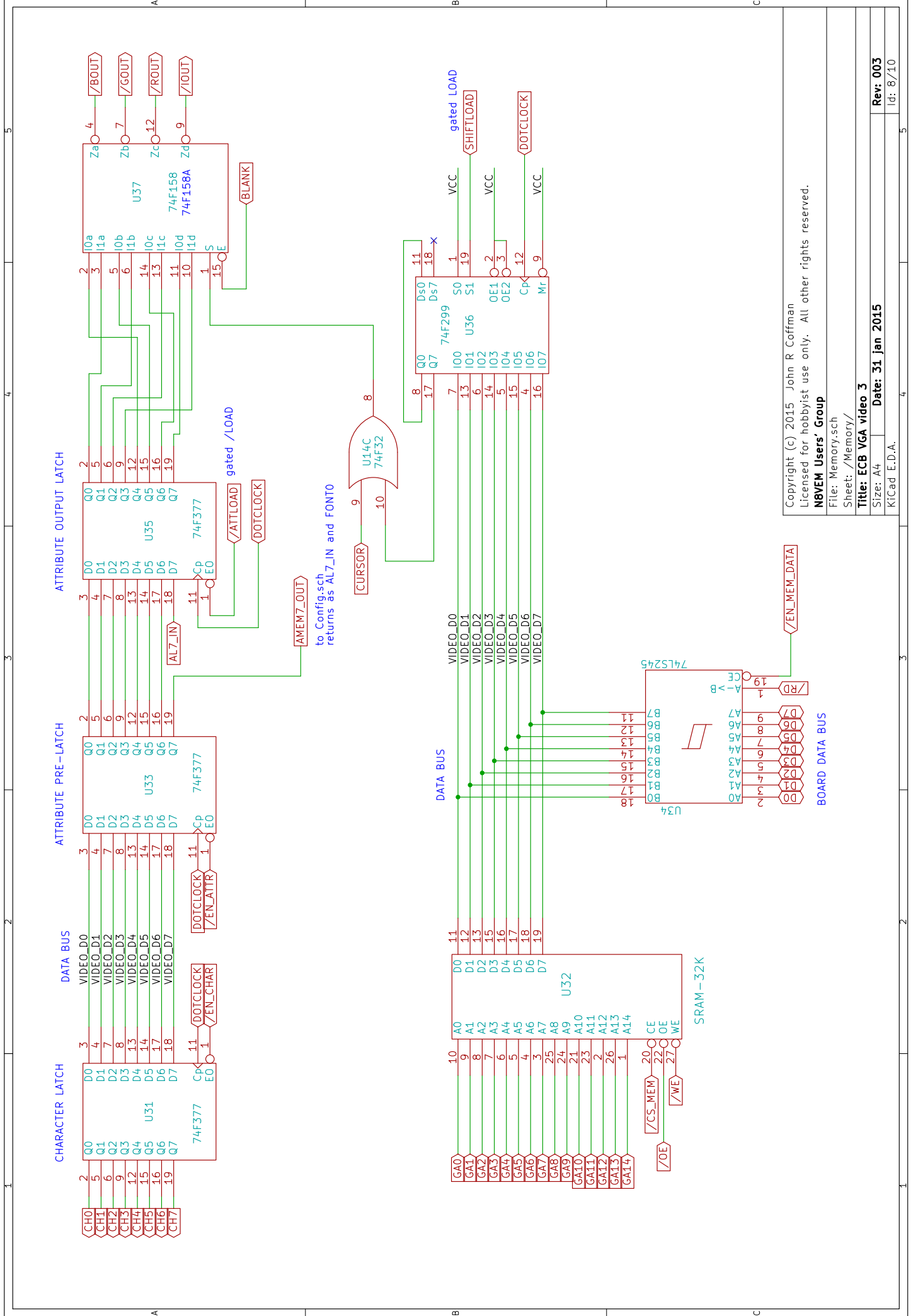
Connector to external mini-DIN keyboard and mouse sockets



Connector to DE-9 female CGA connector with ribbon cable crimp



Copyright (c) 2015 John R Coffman
 Licensed for hobbyist use only. All other rights reserved.



Copyright (c) 2015 John R Coffman
 Licensed for hobbyist use only. All other rights reserved.

NBVM Users' Group

File: Memory.sch

Sheet: /Memory/

Title: ECB VGA video 3

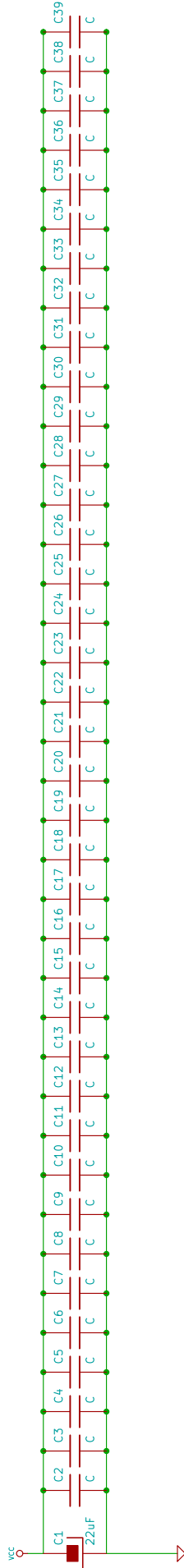
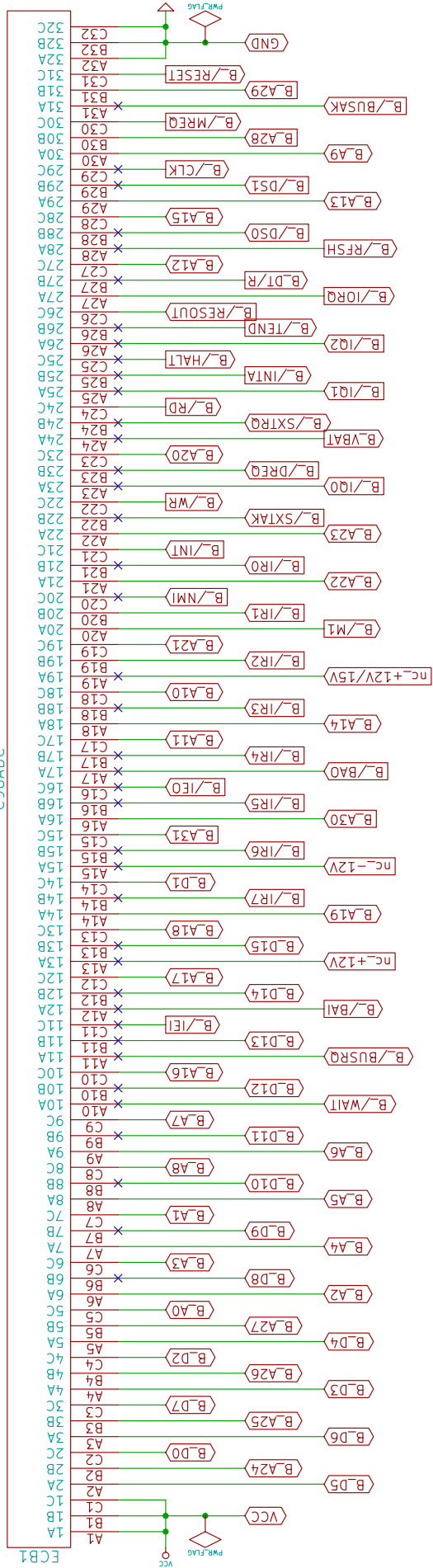
Size: A4 Date: 31 Jan 2015

KiCad E.D.A.

Rev: 003

Id: 8/10

C96ABC



Copyright (c) 2015 John R Coffman
 Licensed for hobbyist use only. All other rights reserved.

NBEM Users' Group

File: ECBbus.sch

Sheet: /ECB bus/

Title: ECB VGA video 3

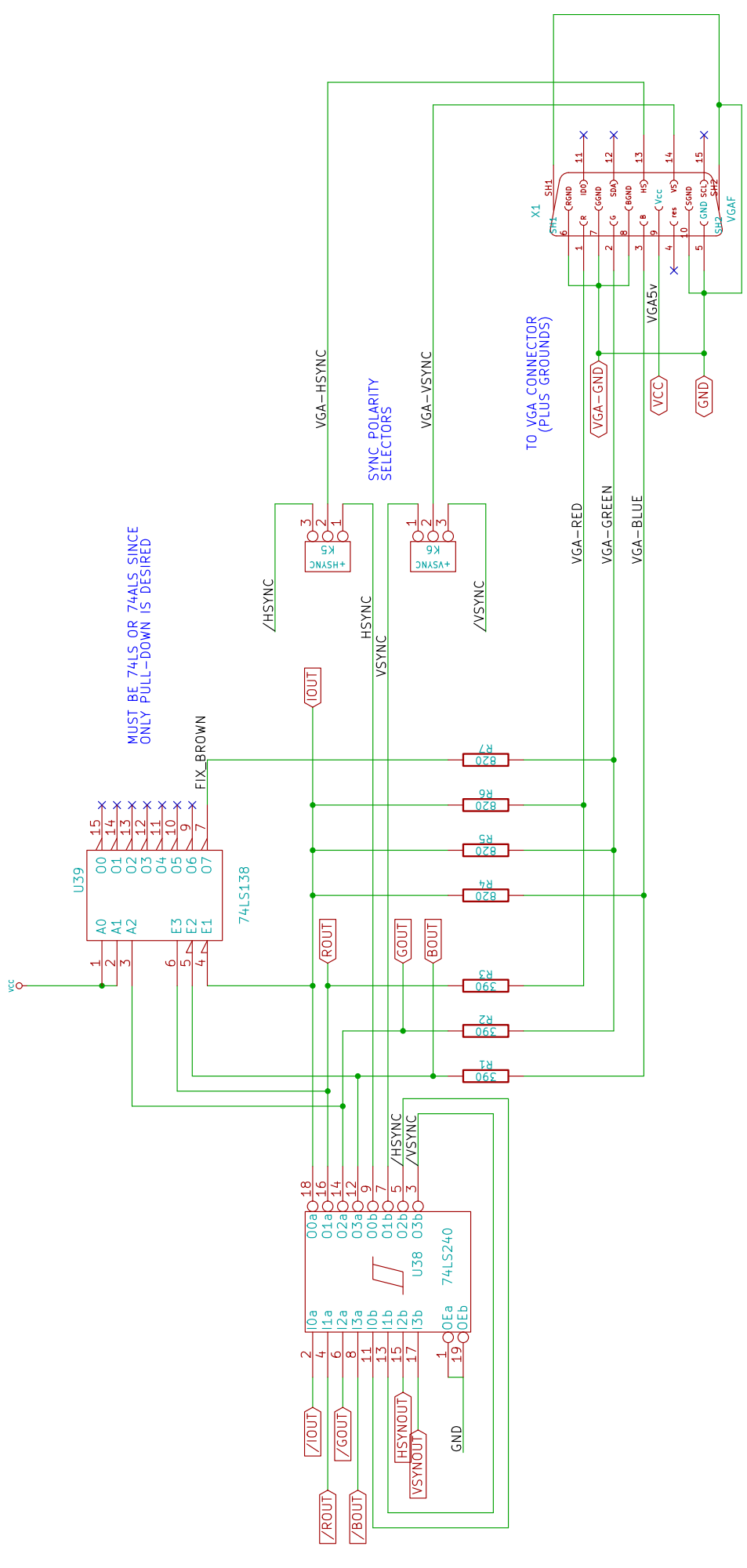
Size: A4

Date: 31 Jan 2015

KiCad E.D.A.

Rev: 003

Id: 9/10



MUST BE 74LS OR 74ALS SINCE ONLY PULL-DOWN IS DESIRED

SYNC POLARITY SELECTORS

TO VGA CONNECTOR (PLUS GROUNDS)

Copyright (c) 2015 John R Coffman
 Licensed for hobbyist use only. All other rights reserved.

NBVM Users' Group

File: VgAoutput.sch

Sheet: /VGA output/

Title: **ECB VGA video 3**

Size: A4

Date: **31 Jan 2015**

KiCad E.D.A.

Rev: **003**

Id: 10/10