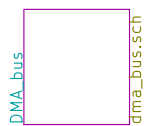
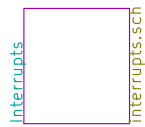


SPARE:



EXPERIMENTAL with I/O and memory protection and BERR

by John R. Coffman

NBVM User Group

File: babyM68K.sch

Sheet: /

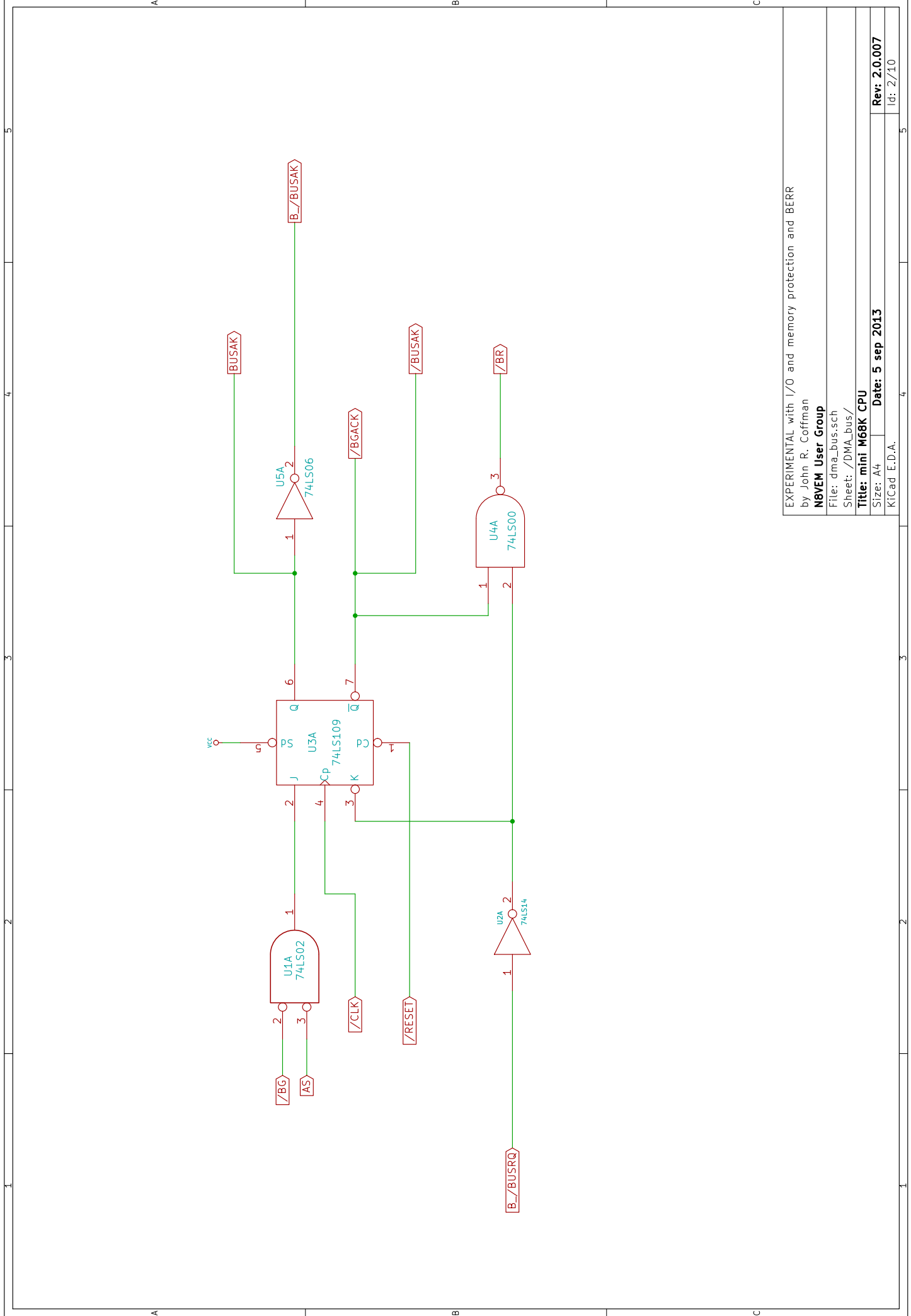
Title: mini M68K CPU

Size: A4 Date: 5 sep 2013

KiCad E.D.A.

Rev: 2.0.007

Id: 1/10



EXPERIMENTAL with I/O and memory protection and BERR

by John R. Coffman

NBVM User Group

File: dma_bus.sch

Sheet: /DMA_bus/

Title: mini M68K CPU

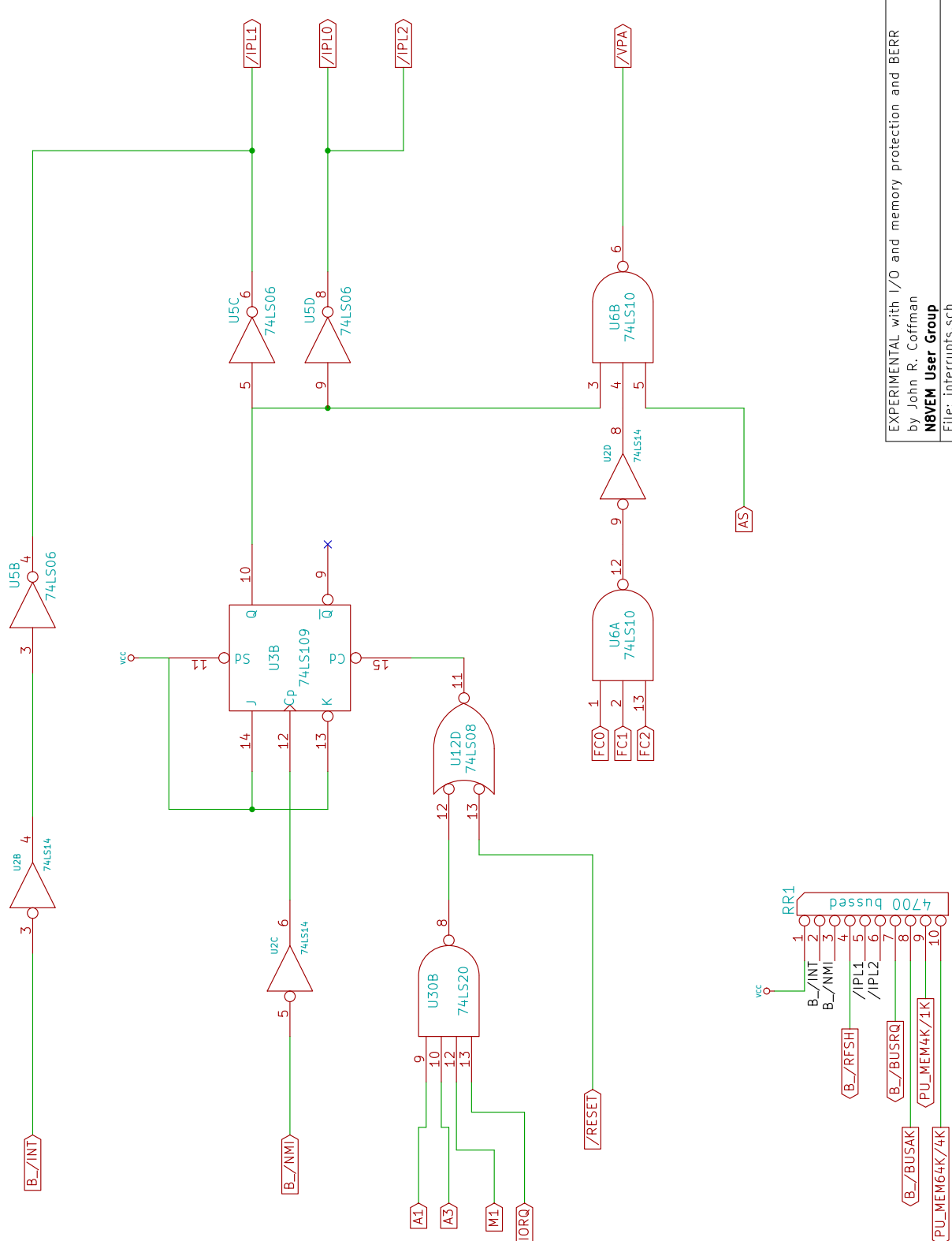
Size: A4

Date: 5 sep 2013

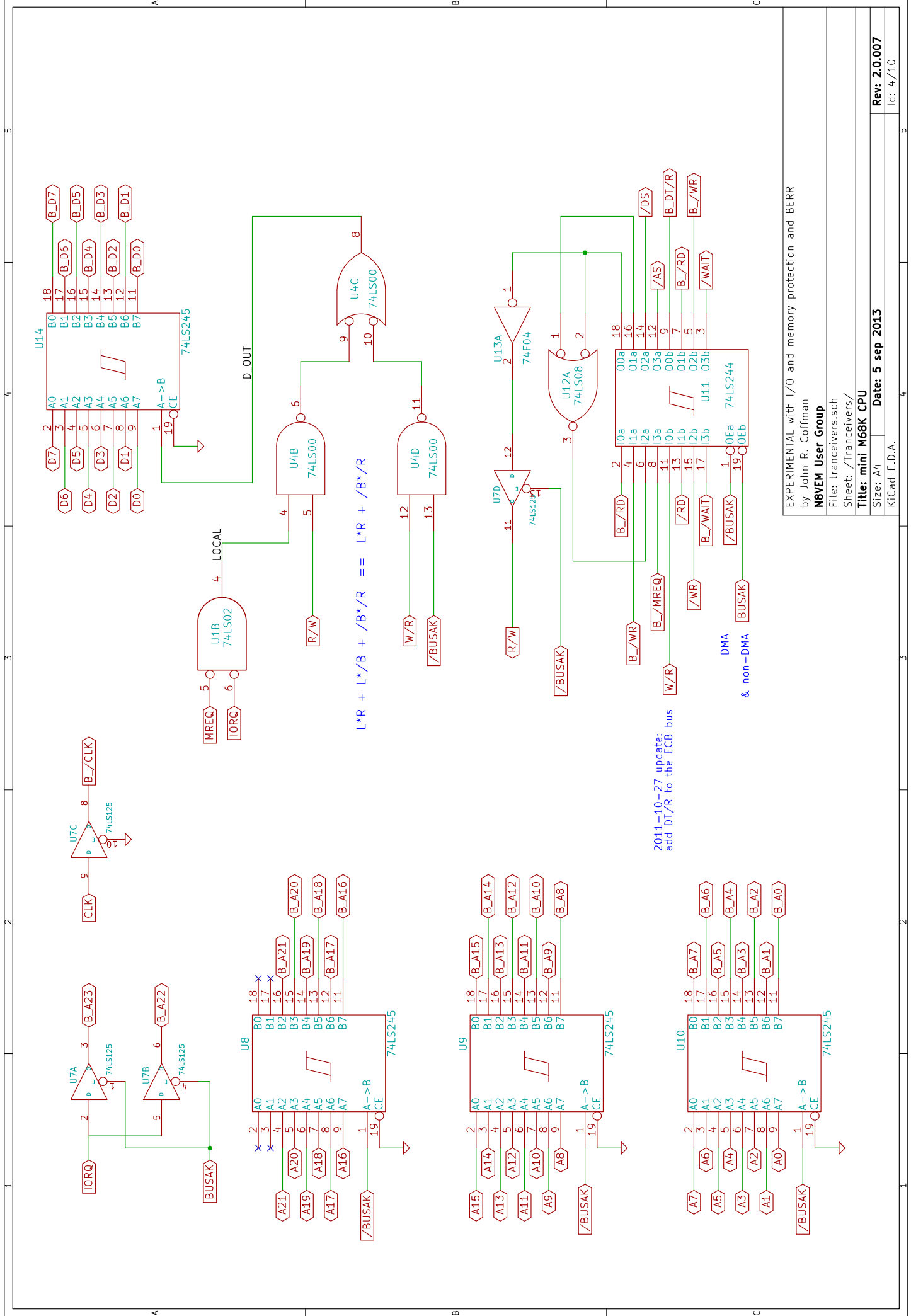
KiCad E.D.A.

Rev: 2.0.007

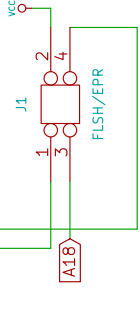
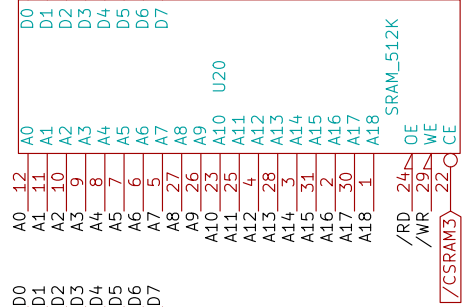
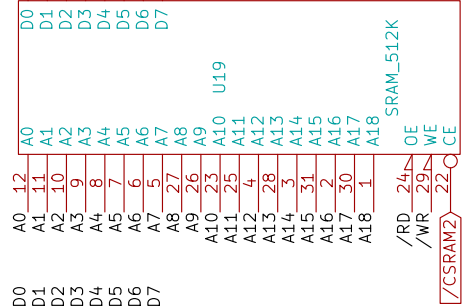
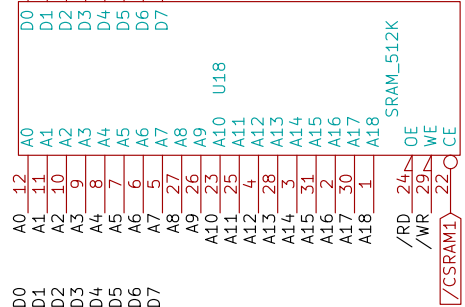
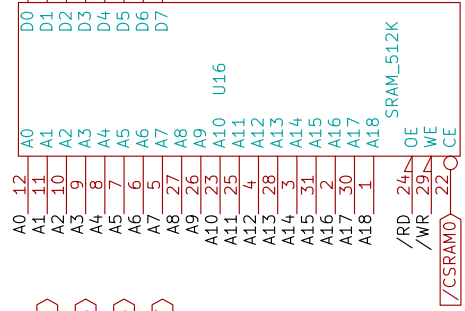
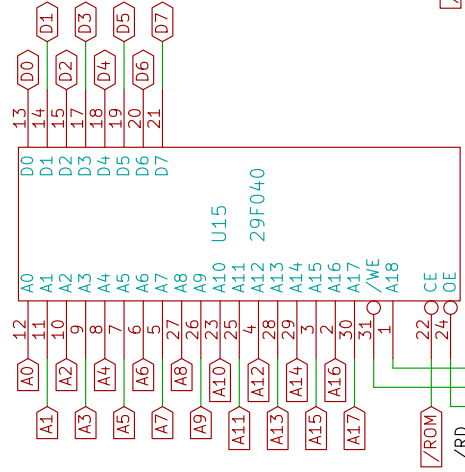
Id: 2/10



EXPERIMENTAL with I/O and memory protection and BERR
 by John R. Coffman
N8VEM User Group
 File: interrupts.sch
 Sheet: /interrupts/
Title: mini M68K CPU
 Size: A4 Date: 5 sep 2013
 KiCad E.D.A. Id: 3/10 Rev: 2.0.007

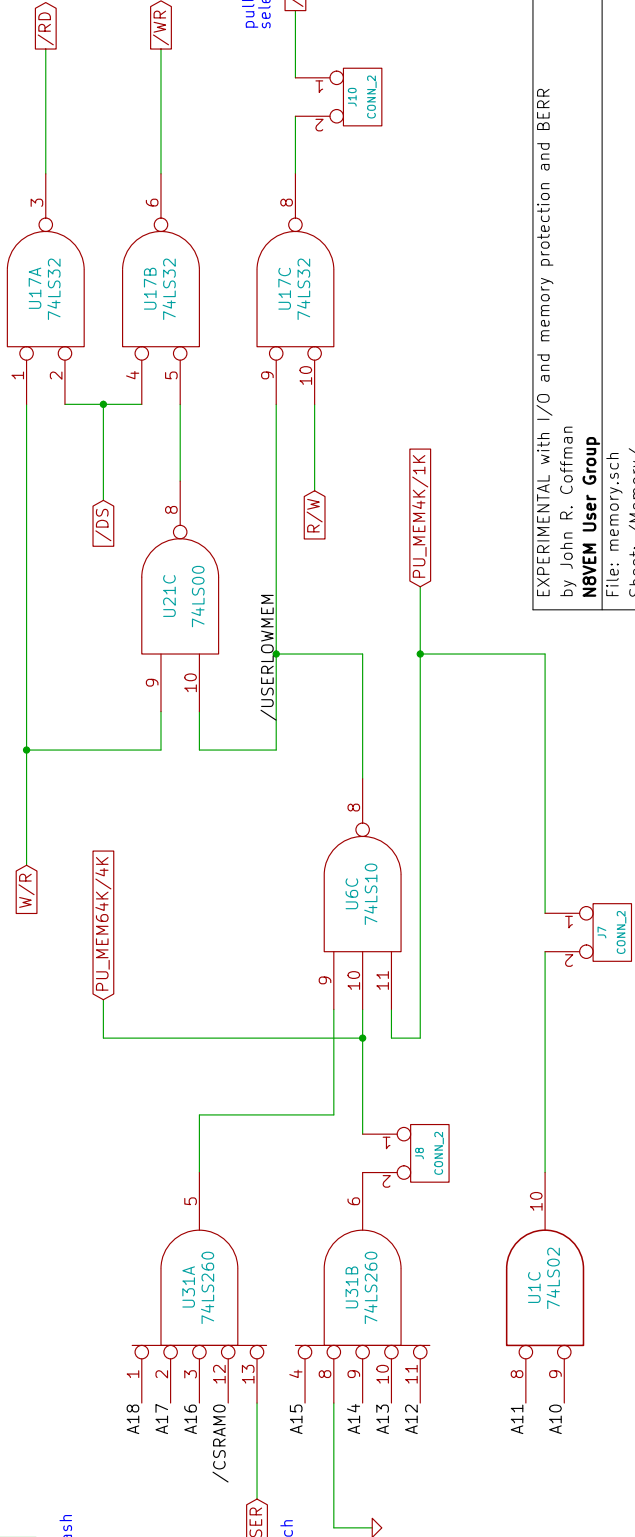


EXPERIMENTAL with I/O and memory protection and BERR
 by John R. Coffman
N8VEM User Group
 File: trancivers.sch
 Sheet: /Trancivers/
Title: mini M68K CPU
 Size: A4 Date: 5 sep 2013
 KiCad E.D.A. Id: 4/10



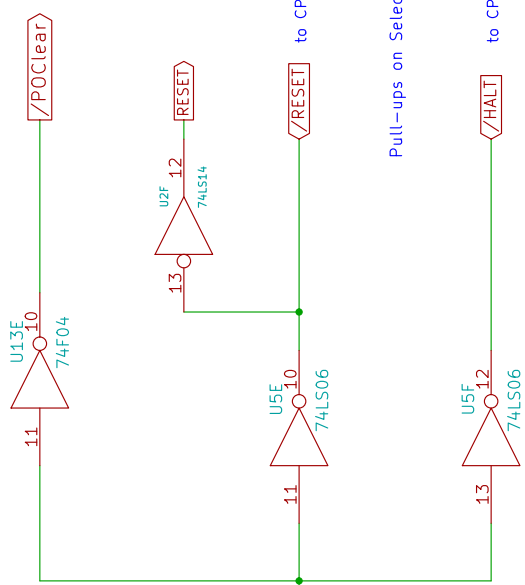
128K, 256K, 512K Flash
1-2, 3-4

512K EPROM
1-3, 2-4

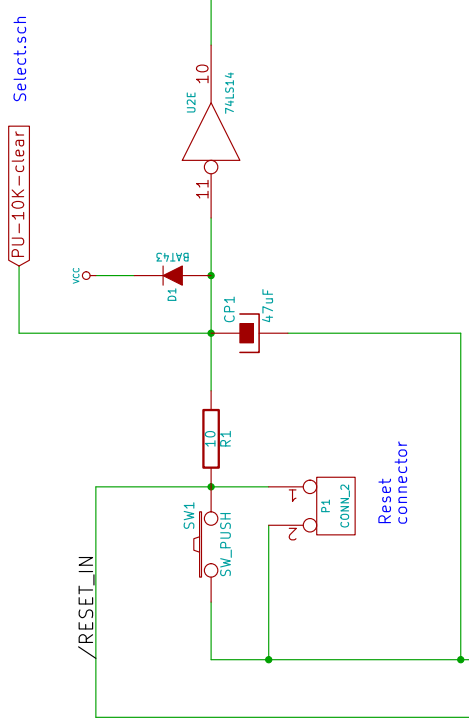
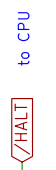


EXPERIMENTAL with I/O and memory protection and BERR
by John R. Coffman
N8VEM User Group
File: memory.sch
Sheet: /Memory/
Title: mini M68K CPU **Date: 5 sep 2013**
Size: A4 Id: 5/10
KiCad E.D.A.

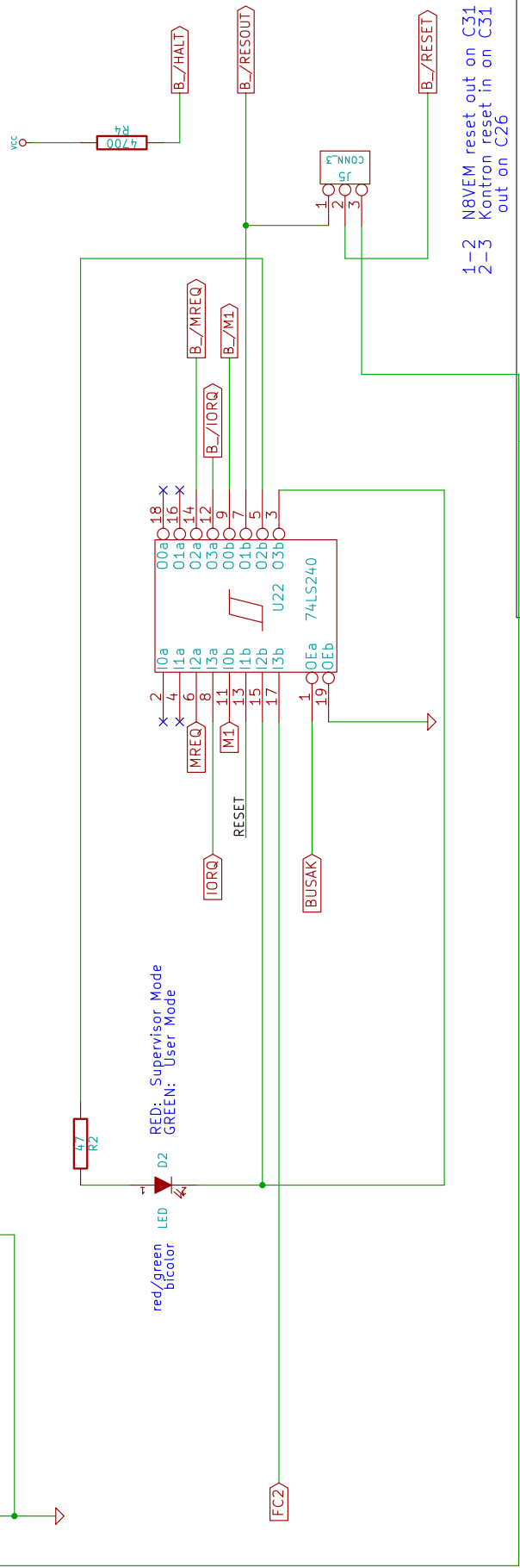
2013-01-24 update:
use /Power On Clear for
bootstrap, not /RESET



Pull-ups on Select.sch



Select.sch



1-2 NBVEM reset out on C31
2-3 Kontron reset in on C26

EXPERIMENTAL with I/O and memory protection and BERR

by John R. Coffman
NBVEM User Group

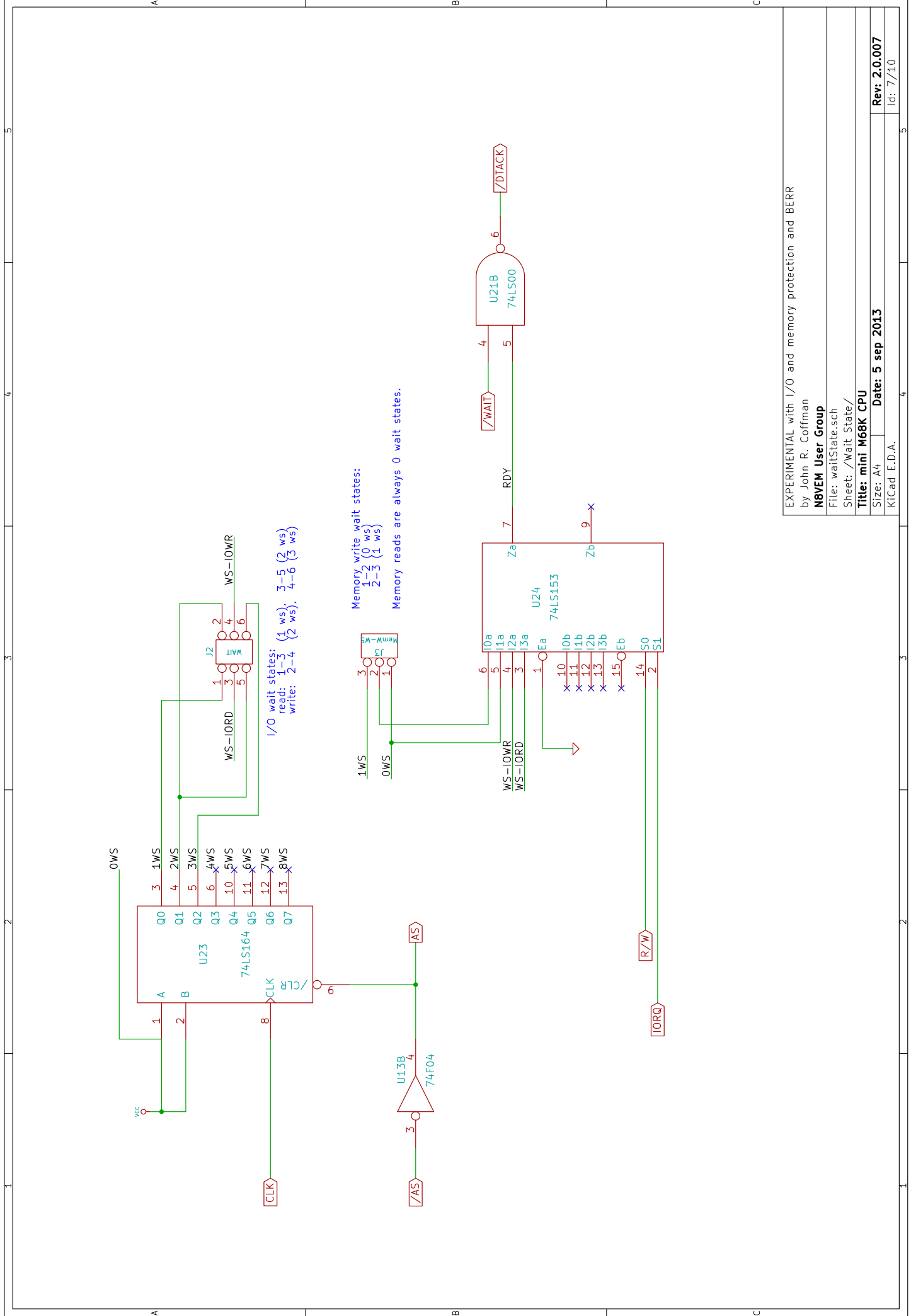
File: reset.sch
Sheet: /Reset/

Title: mini M68K CPU

Size: A4 Date: 5 sep 2013

KiCad E.D.A.

Rev: 2.0.007
Id: 6/10



EXPERIMENTAL with I/O and memory protection and BERR

by John R. Coffman

NBVM User Group

File: waitState.sch

Sheet: /Wait State/

Title: mini M68K CPU

Size: A4

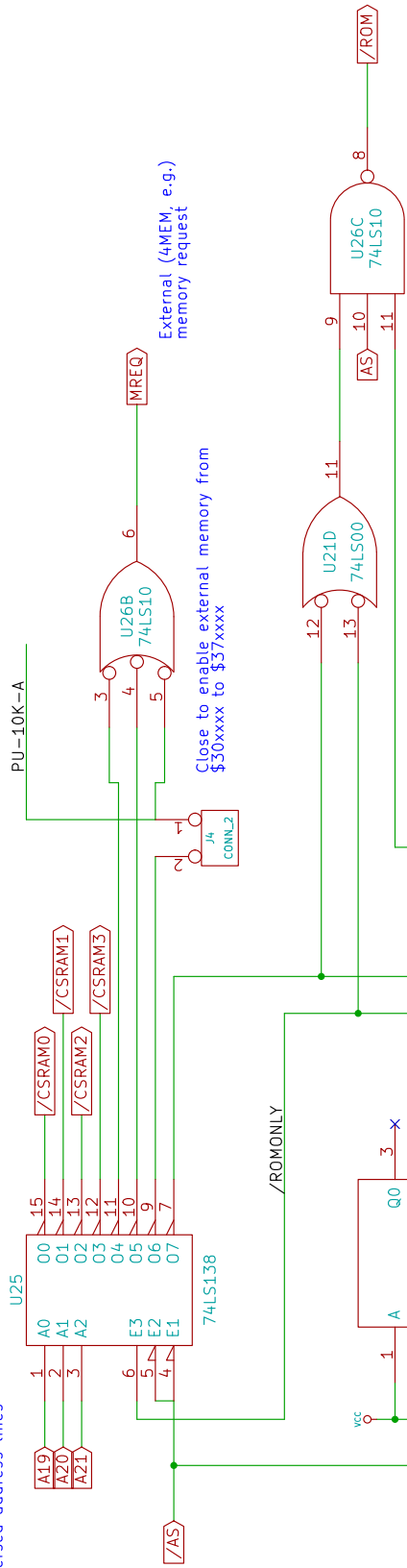
Date: 5 sep 2013

KiCad E.D.A.

Rev: 2.0.007

Id: 7/10

2011-08-15 update:
fix reversed address lines



External (4MEM, e.g.)
memory request

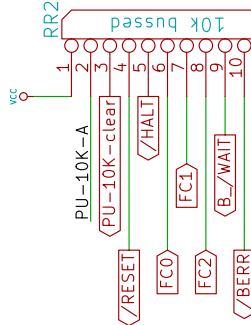
Close to enable external memory from
\$50xxxx to \$37xxxx

2013-01-24 update:
use /Power On Clear for
bootstrap, not /RESET

IORQ combines with M1 (CPU) to
generate the Interrupt Acknowledge
sequence.

2013-01-25 update:
add FC2 so User mode
may not do I/O

SUPV/USER
to memory.sch also



EXPERIMENTAL with I/O and memory protection and BERR

by John R. Coffman

NBVM User Group

File: select.sch

Sheet: /Select/

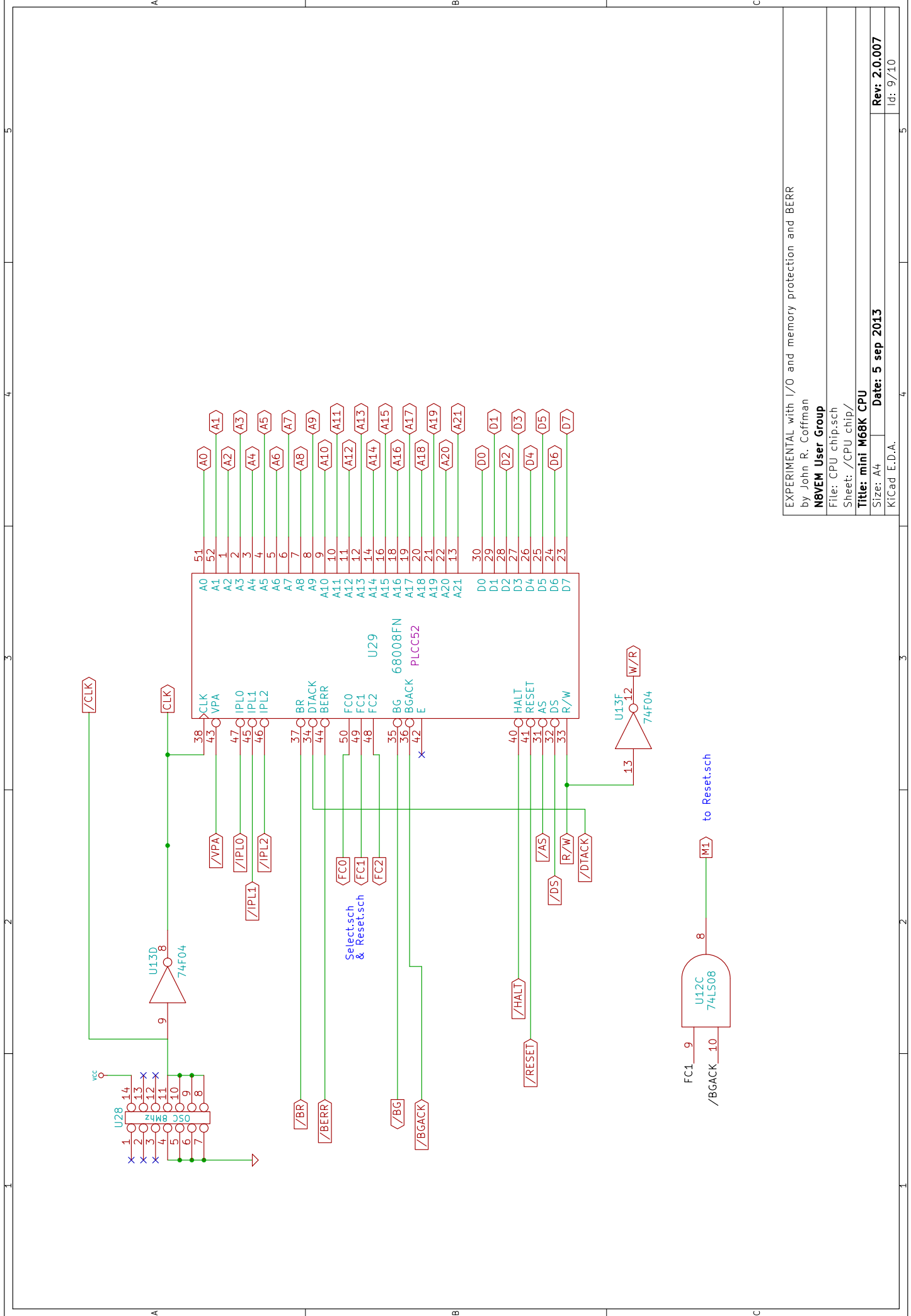
Title: mini M68K CPU

Size: A4 Date: 5 sep 2013

KiCad E.D.A.

Rev: 2.0.007

Id: 8/10



EXPERIMENTAL with I/O and memory protection and BERR

by John R. Coffman

N8VEM User Group

File: CPU chips.sch

Sheet: /CPU chip/

Title: mini M68K CPU

Size: A4 Date: 5 sep 2013

KiCad E.D.A.

Rev: 2.0.007

Id: 9/10

