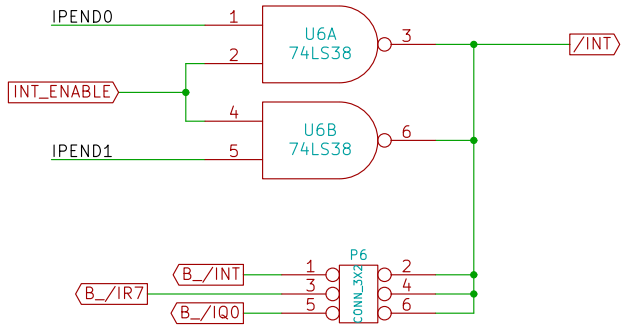
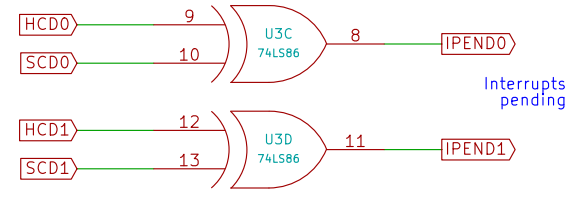
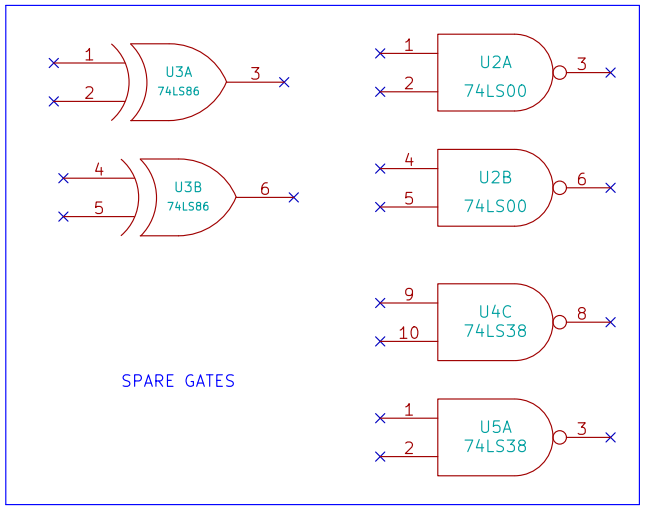
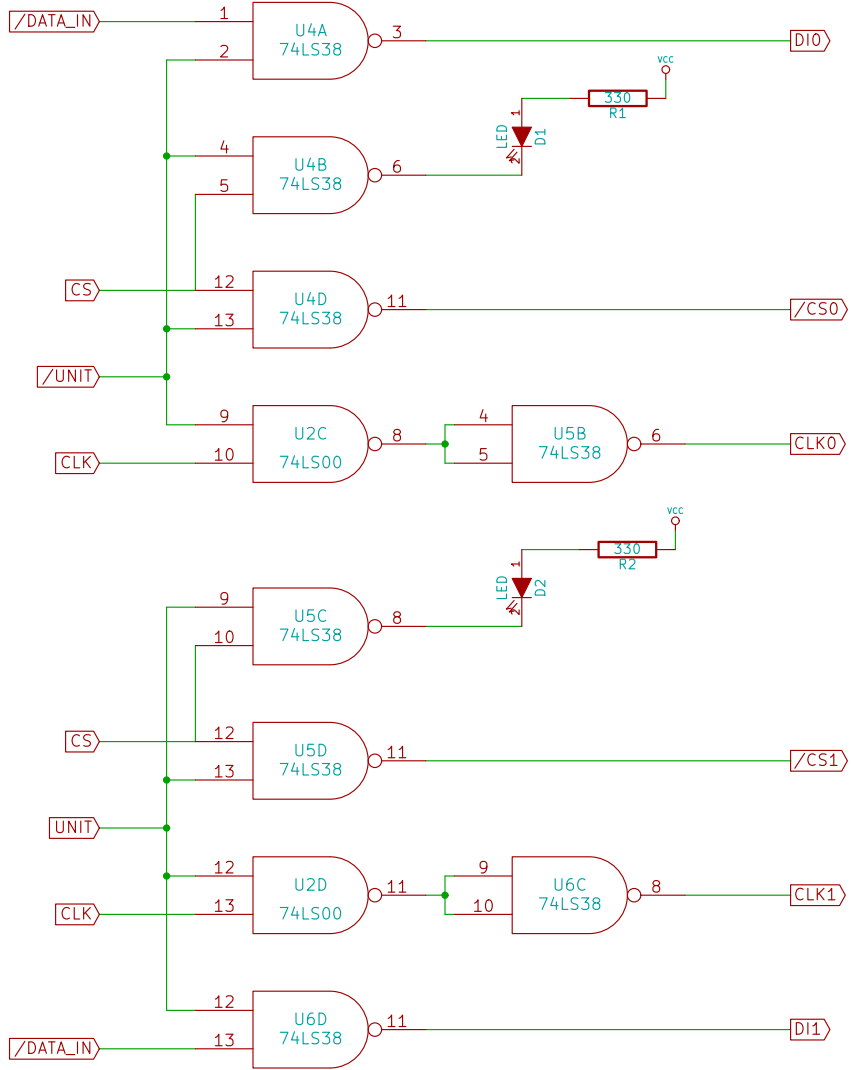
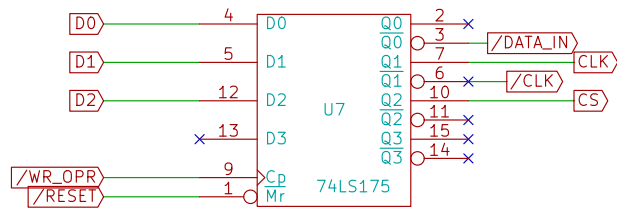


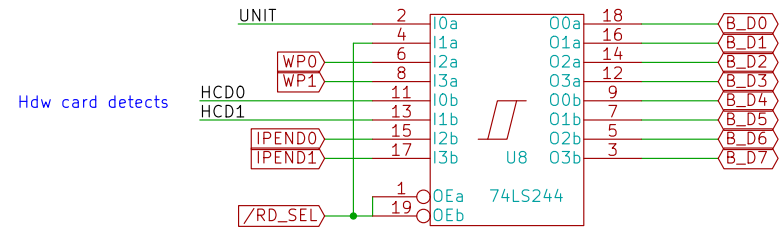
Copyright (c) 2013. Licensed for hobby use only.	
John R. Coffman	
<b>N8VEM user Group</b>	
File: ECB dual SD.sch	
Sheet: /	
<b>Title: ECB dual SD card interface</b>	
Size: A	<b>Date: 13 mar 2013</b>
KiCad E.D.A.	<b>Rev: 1.01</b>
	Id: 1/5



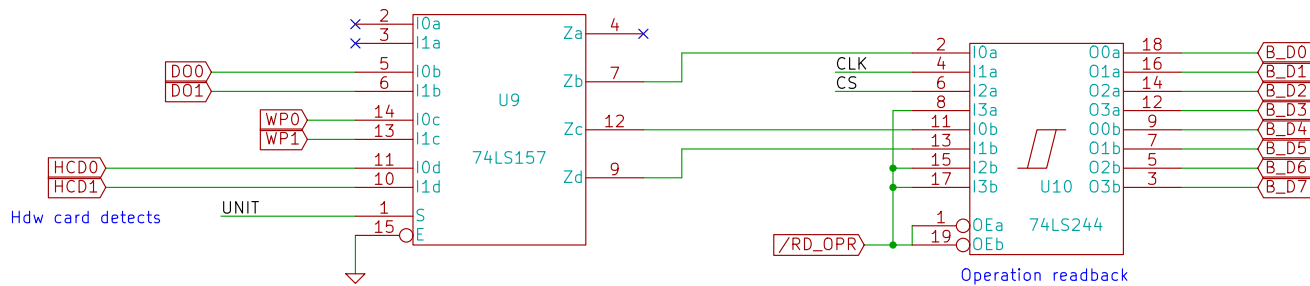
Select one interrupt input depending on your system



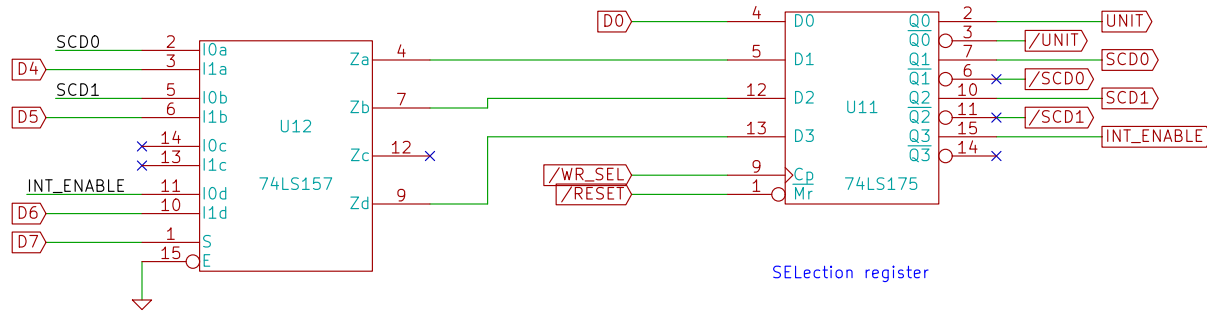
OPeration Register



Select readback



Operation readback



SElection register

Copyright (c) 2013. Licensed for hobby use only.

John R. Coffman

**N8VEM user Group**

File: OPR\_and\_SEL.sch

Sheet: /Operation & Select/

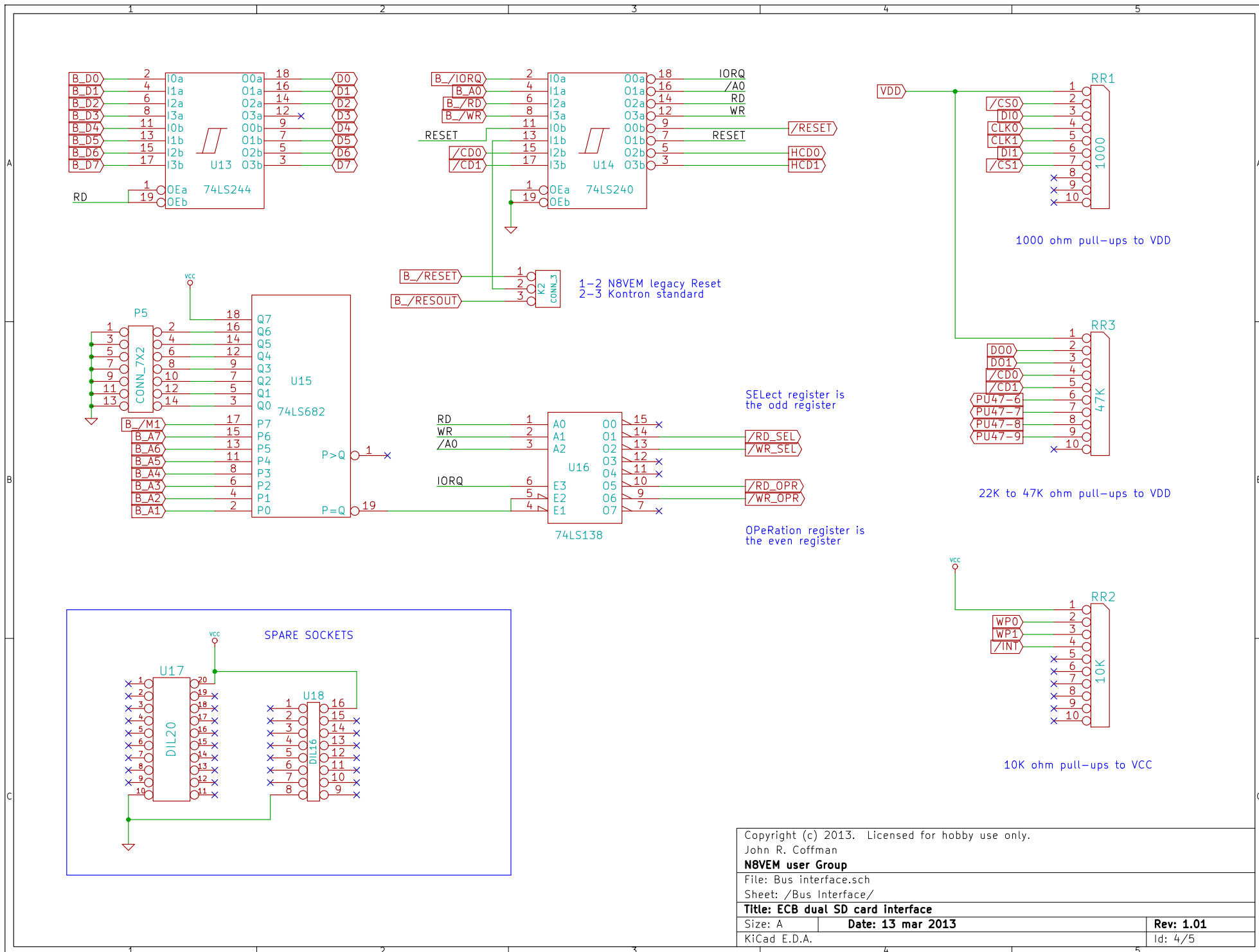
**Title: ECB dual SD card interface**

Size: A Date: 13 mar 2013

KiCad E.D.A.

Rev: 1.01

Id: 3/5



Copyright (c) 2013. Licensed for hobby use only.

John R. Coffman

**N8VEM user Group**

File: Bus interface.sch

Sheet: /Bus Interface/

**Title: ECB dual SD card interface**

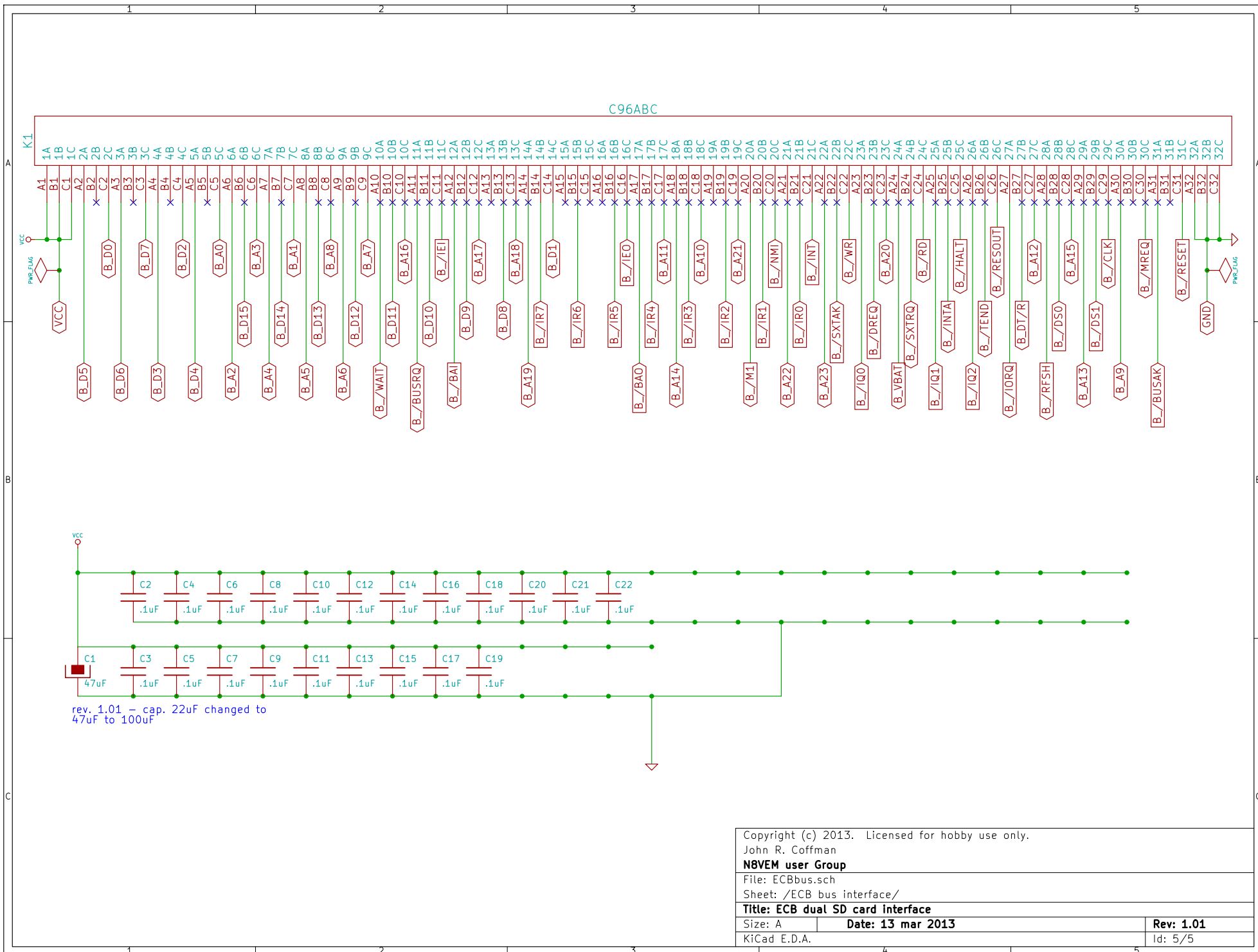
Size: A

**Date: 13 mar 2013**

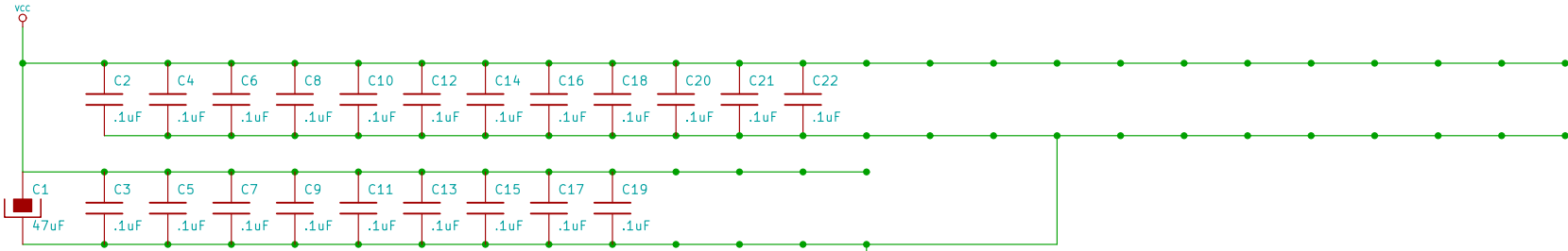
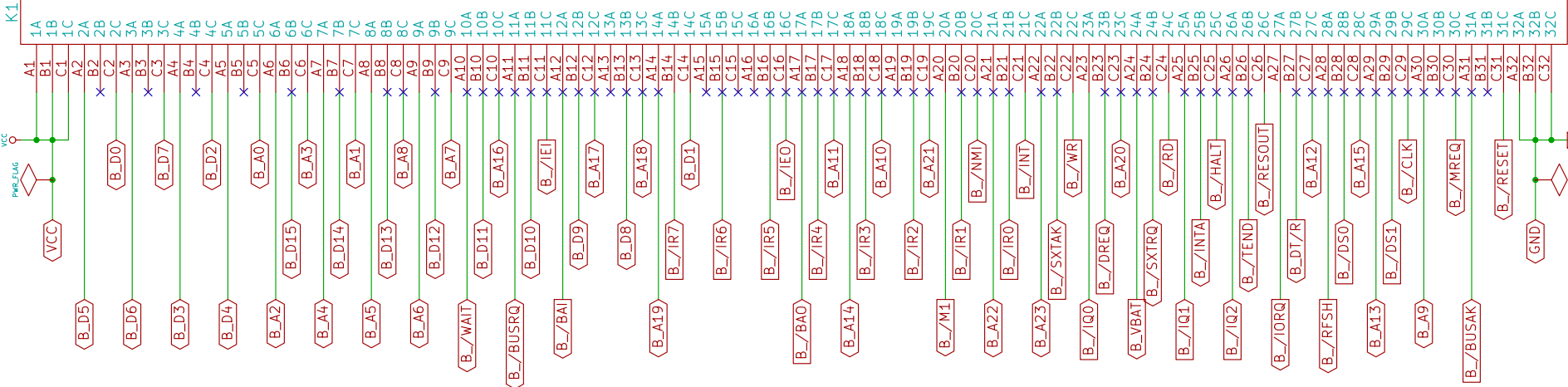
**Rev: 1.01**

KiCad E.D.A.

Id: 4/5



C96ABC



rev. 1.01 - cap. 22uF changed to 47uF to 100uF

Copyright (c) 2013. Licensed for hobby use only. John R. Coffman <b>N8VEM user Group</b>	
File: ECBbus.sch Sheet: /ECB bus interface/	
<b>Title: ECB dual SD card interface</b>	
Size: A	<b>Date: 13 mar 2013</b>
KiCad E.D.A.	<b>Rev: 1.01</b>
	Id: 5/5