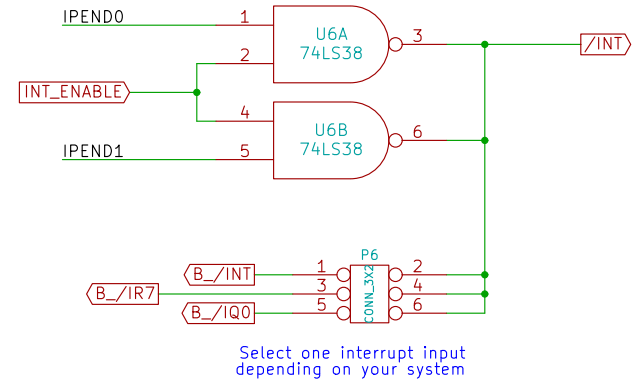
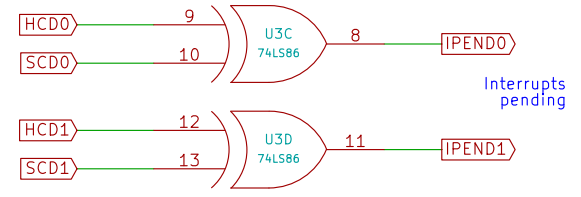
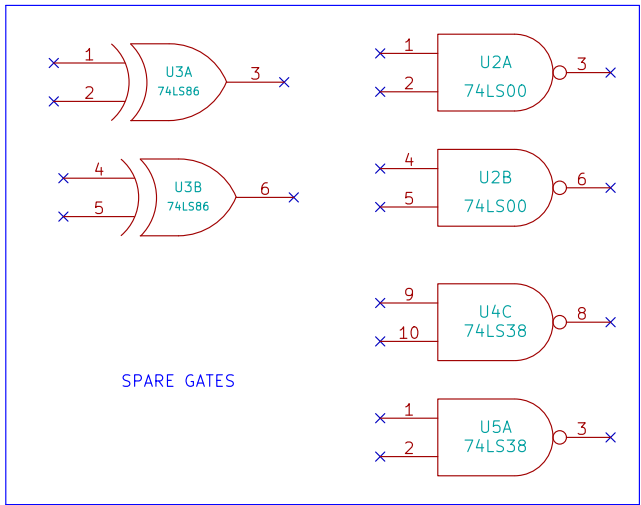
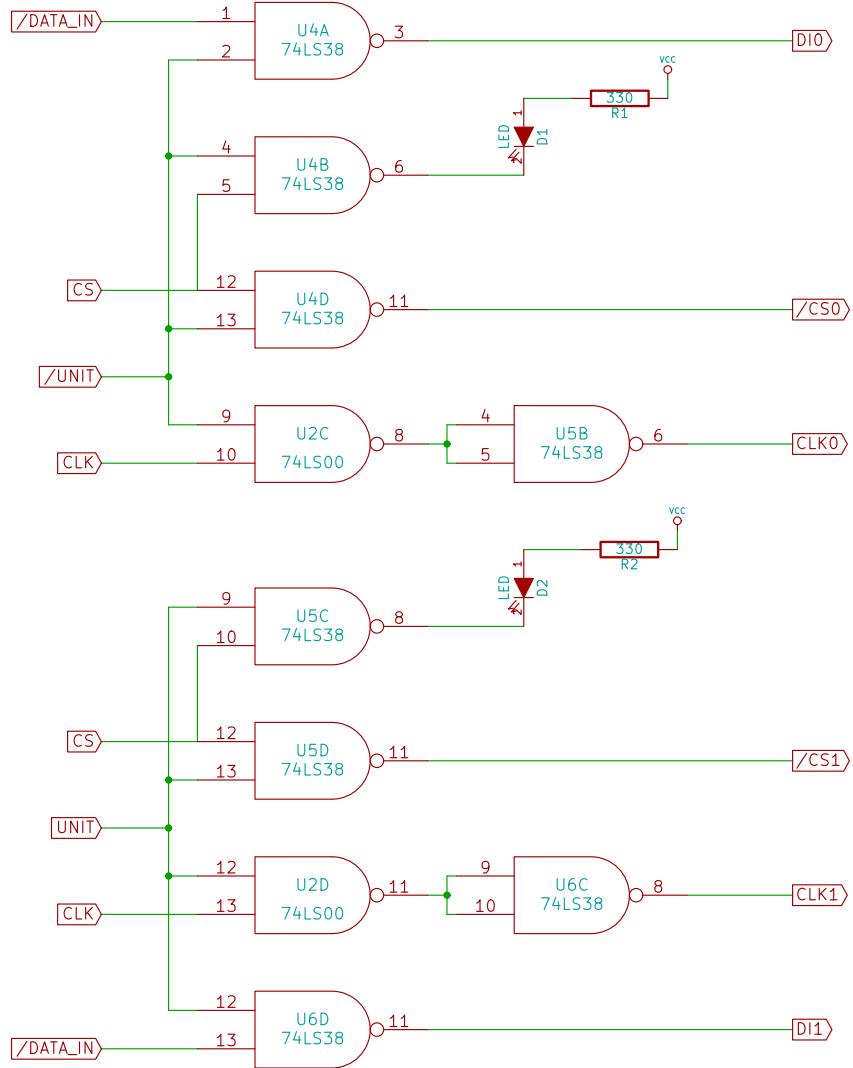
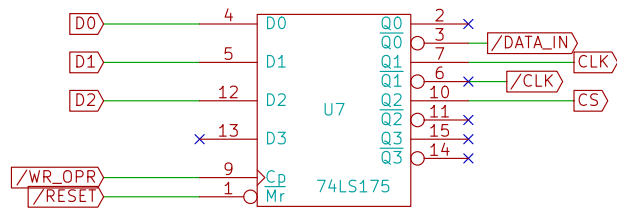
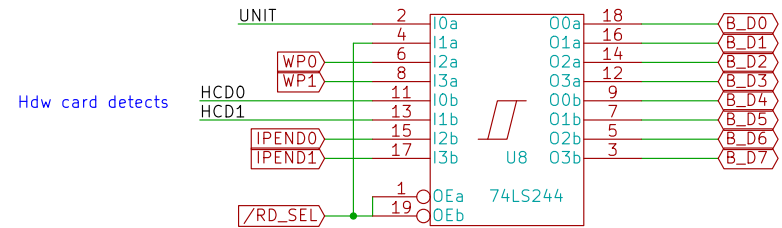


Copyright (c) 2013. Licensed for hobby use only.	
John R. Coffman	
N8VEM user Group	
File: ECB dual SD.sch	
Sheet: /	
Title: ECB dual SD card interface	
Size: A	Date: 25 feb 2013
KiCad E.D.A.	Rev: 1.00
	Id: 1/5

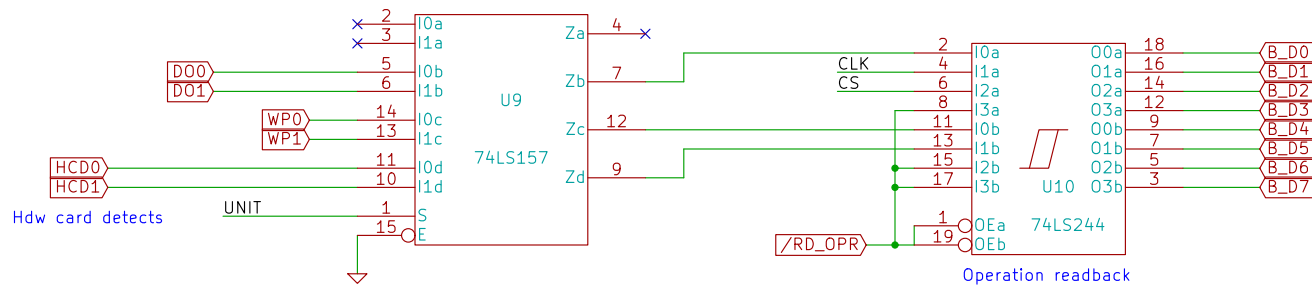




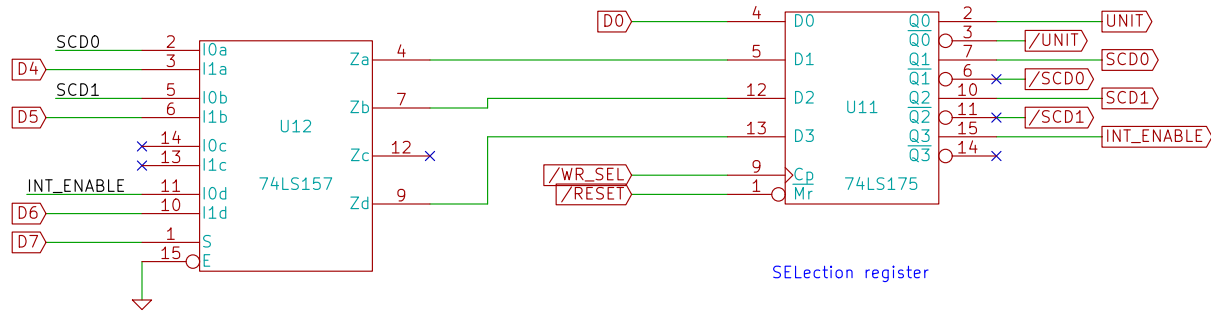
OPeration Register



Select readback



Operation readback



SElection register

Copyright (c) 2013. Licensed for hobby use only.

John R. Coffman

N8VEM user Group

File: OPR_and_SEL.sch

Sheet: /Operation & Select/

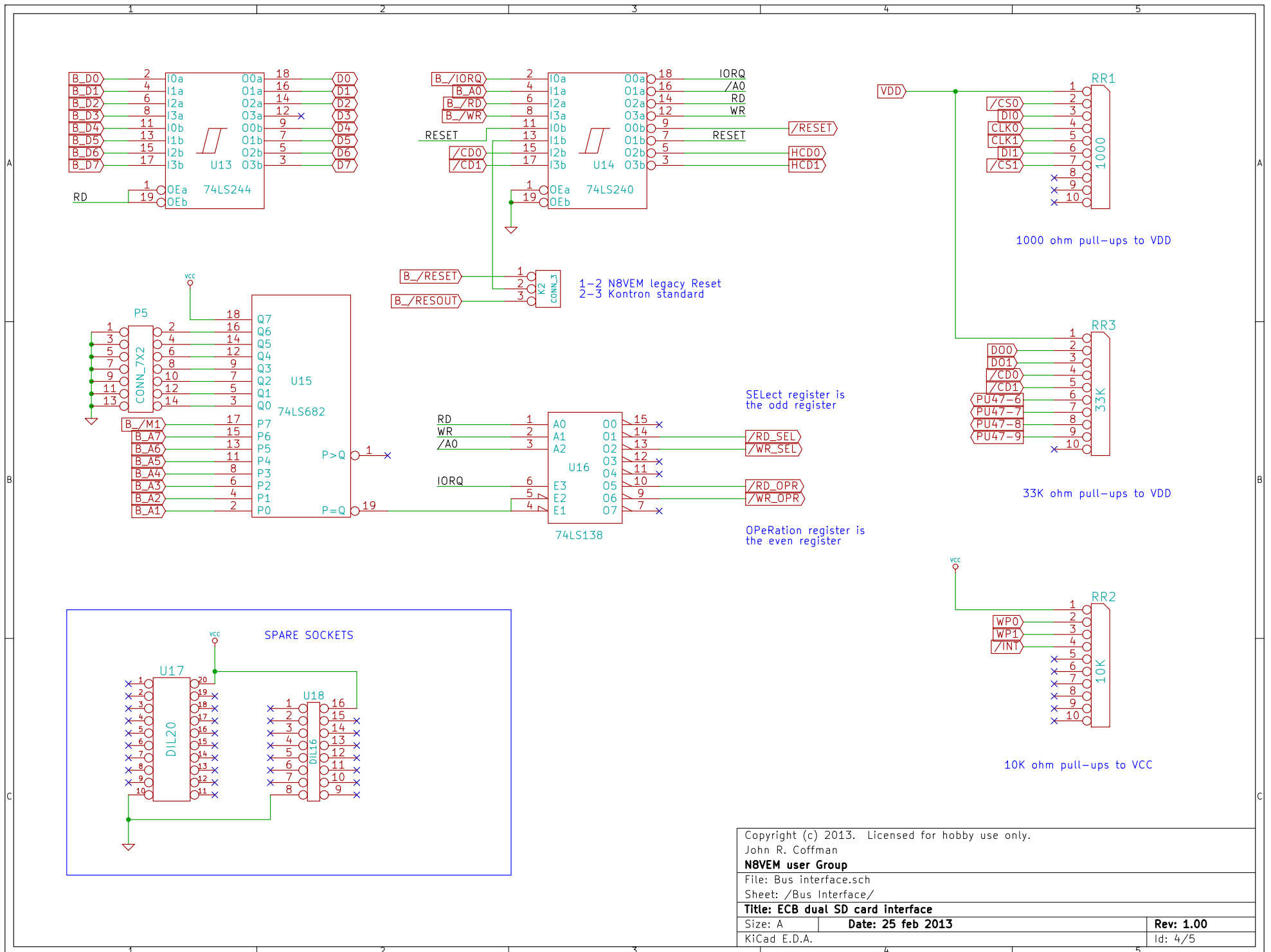
Title: ECB dual SD card interface

Size: A **Date: 25 feb 2013**

KiCad E.D.A.

Rev: 1.00

Id: 3/5



Copyright (c) 2013. Licensed for hobby use only.

John R. Coffman

N8VEM user Group

File: Bus interface.sch

Sheet: /Bus Interface/

Title: ECB dual SD card interface

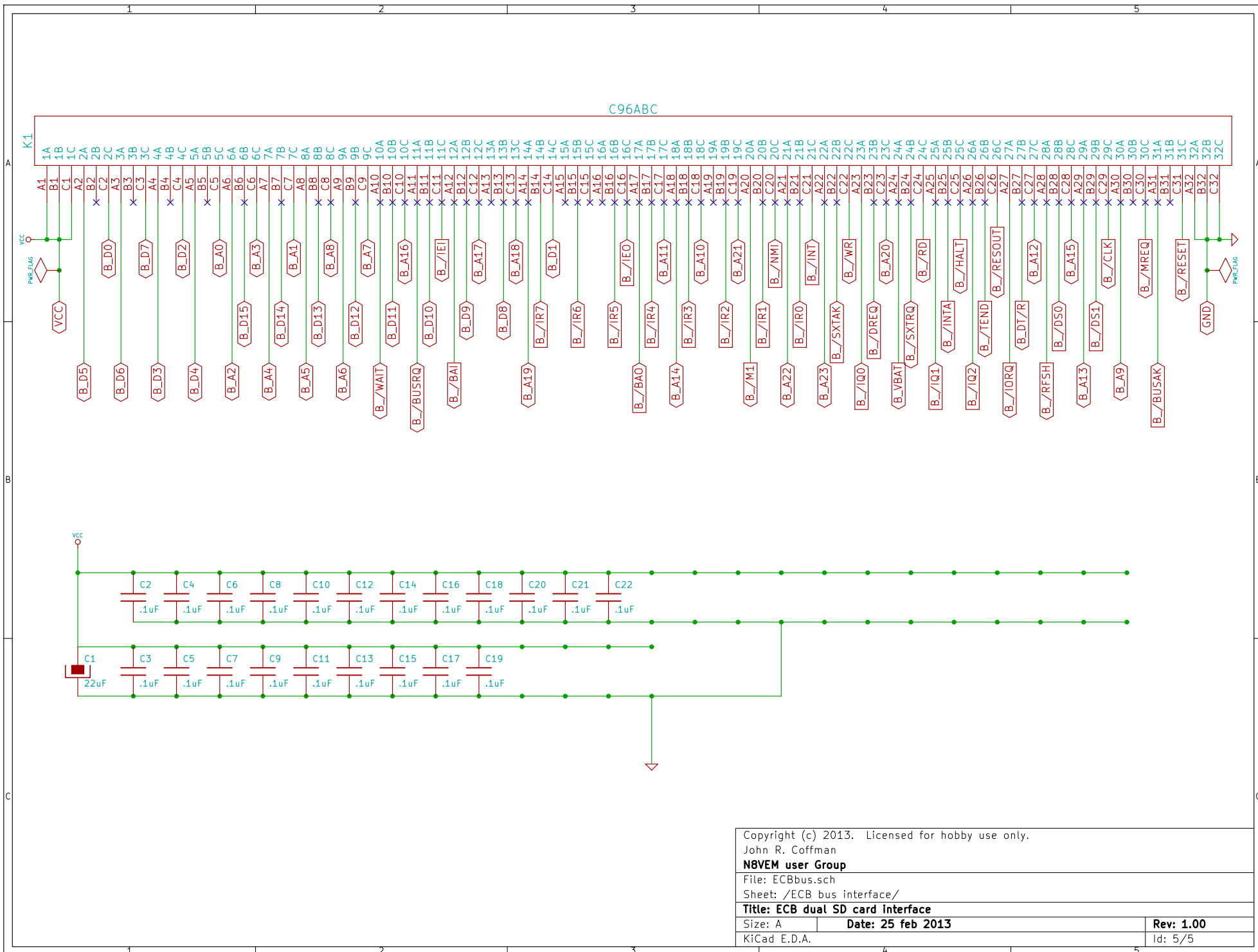
Size: A

Date: 25 feb 2013

Rev: 1.00

KiCad E.D.A.

Id: 4/5



Copyright (c) 2013. Licensed for hobby use only.	
John R. Coffman	
N8VEM user Group	
File: ECBbus.sch	
Sheet: /ECB bus interface/	
Title: ECB dual SD card interface	
Size: A	Date: 25 feb 2013
KiCad E.D.A.	Rev: 1.00
	Id: 5/5