

Sheet: ECB Bus Interface



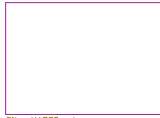
File: ECBBusInterface.sch

Sheet: Bus Drivers



File: BusDrivers.sch

Sheet: UART



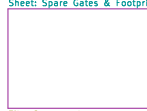
File: UART2.sch

Sheet: Serial Line Buffers



File: RS232.sch

Sheet: Spare Gates & Footprints



File: Spares.sch

Copyright (c) 2019 Richard Cini. All rights reserved.
Licensed for hobbyist use only.

Retro Brew Computing group

Sheet: /

File: ECB 2S1P-1.0-001.sch

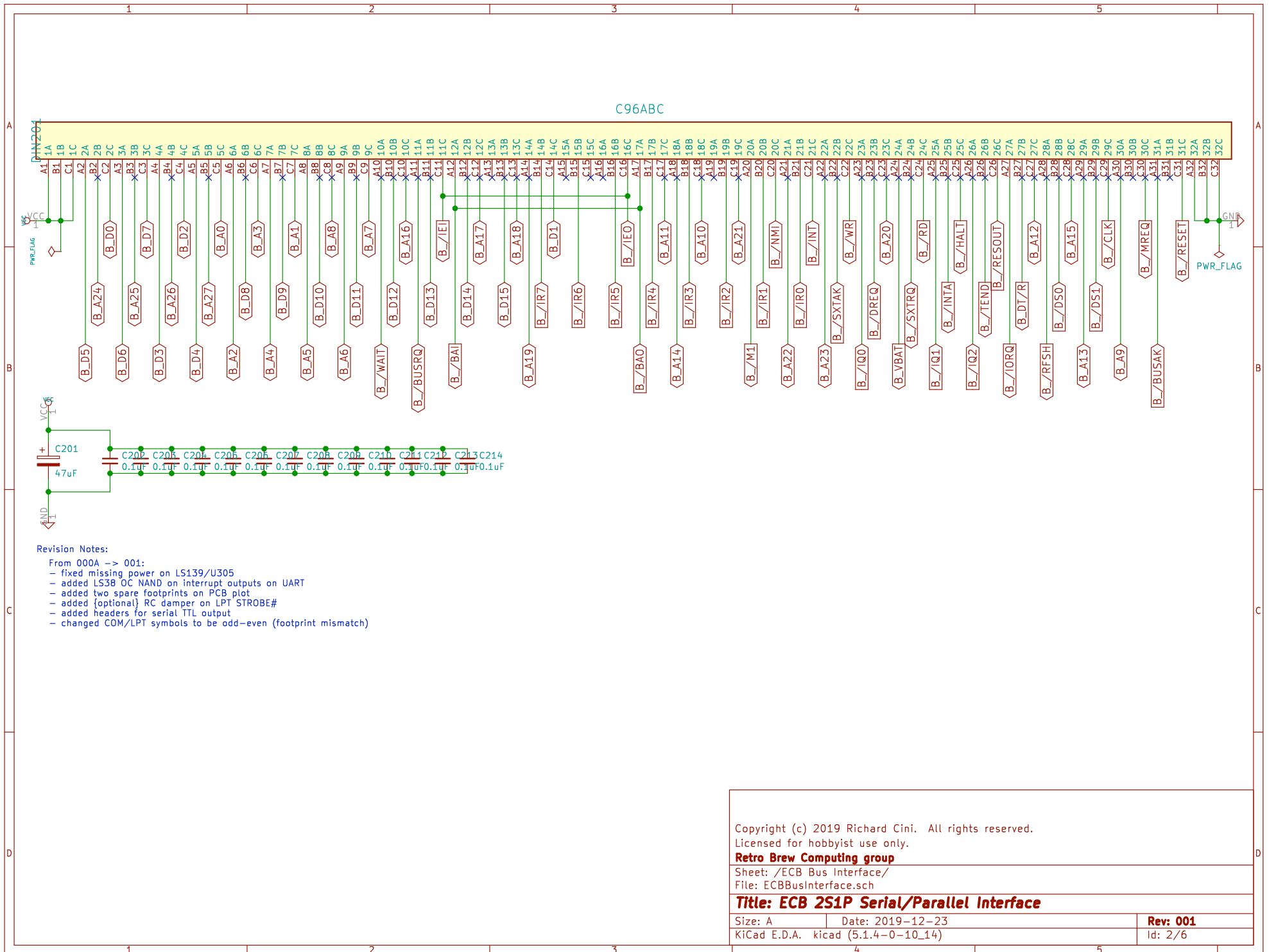
Title: ECB 2S1P Serial/Parallel Interface

Size: B | Date: 2019-12-23

KiCad E.D.A. kicad (5.1.4-0-10.14)

Rev: 001

Id: 1/6



Revision Notes:

- From 000A -> 001:
- fixed missing power on LS139/U305
- added LS38 OC NAND on interrupt outputs on UART
- added two spare footprints on PCB plot
- added [optional] RC damper on LPT STROBE#
- added headers for serial TTL output
- changed COM/LPT symbols to be odd-even (footprint mismatch)

Copyright (c) 2019 Richard Cini. All rights reserved.
Licensed for hobbyist use only.

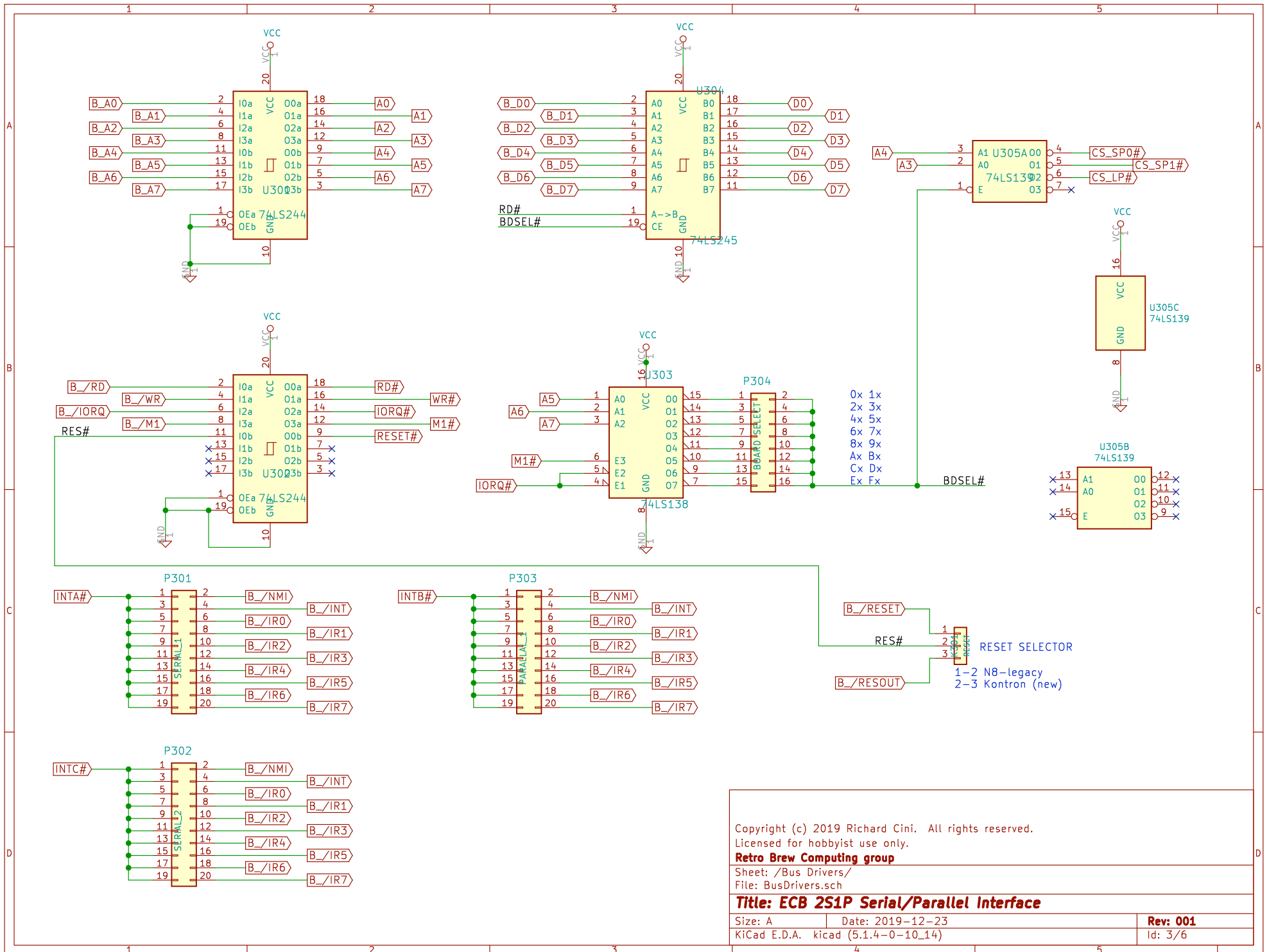
Retro Brew Computing group

Sheet: /ECB Bus Interface/
File: ECBBusInterface.sch

Title: ECB 2S1P Serial/Parallel Interface

Size: A Date: 2019-12-23
KiCad E.D.A. kicad (5.1.4-0-10_14)

Rev: 001
Id: 2/6



Copyright (c) 2019 Richard Cini. All rights reserved.
 Licensed for hobbyist use only.

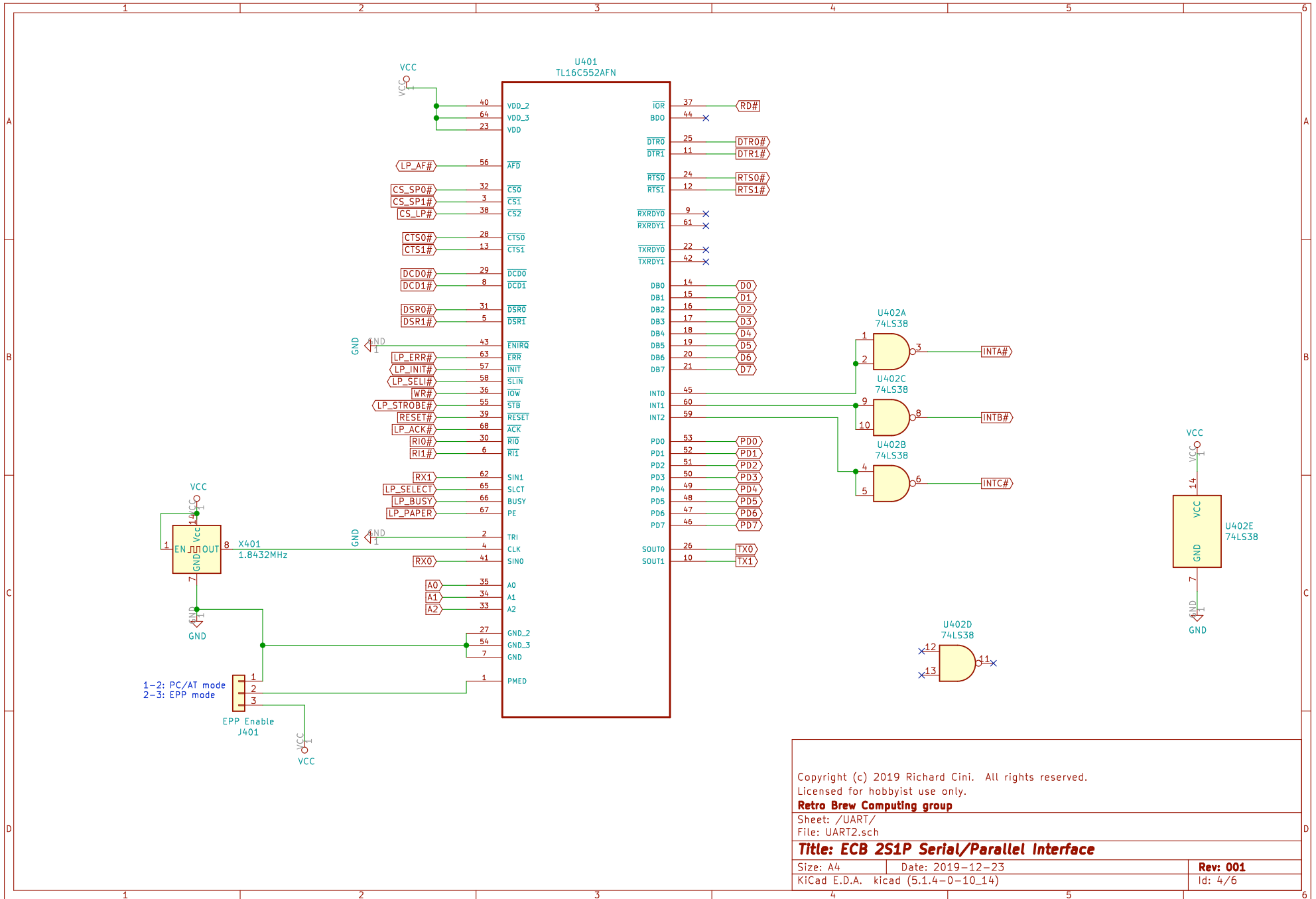
Retro Brew Computing group

Sheet: /Bus Drivers/
 File: BusDrivers.sch

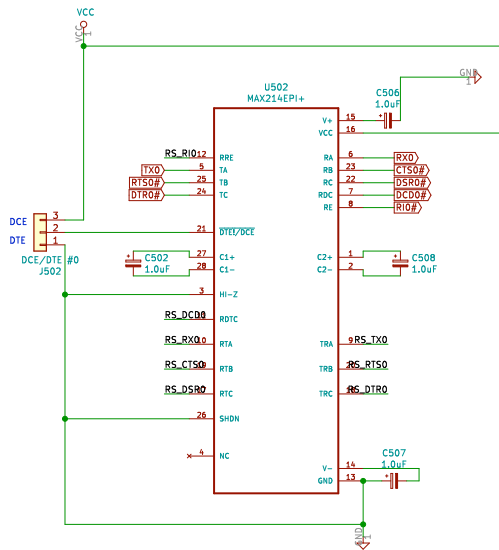
Title: ECB 2S1P Serial/Parallel Interface

Size: A Date: 2019-12-23
 KiCad E.D.A. kicad (5.1.4-0-10_14)

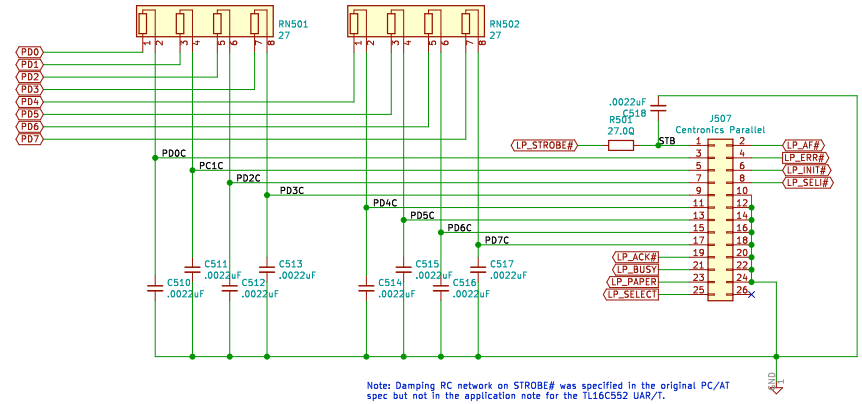
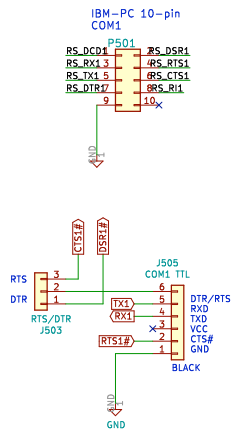
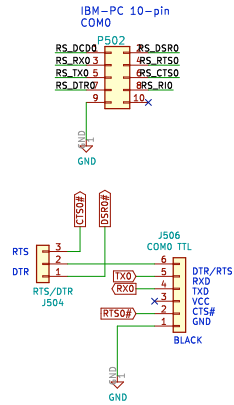
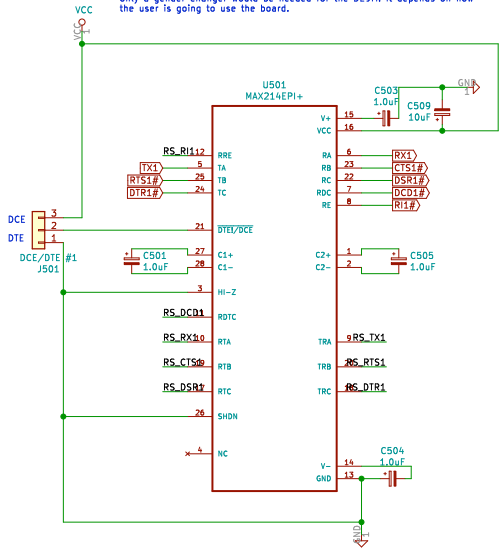
Rev: 001
 Id: 3/6



Copyright (c) 2019 Richard Cini. All rights reserved.
 Licensed for hobbyist use only.
Retro Brew Computing group
 Sheet: /UART/
 File: UART2.sch
Title: ECB 2S1P Serial/Parallel Interface
 Size: A4 | Date: 2019-12-23 | Rev: 001
 KiCad E.D.A. kicad (5.1.4-0-10_14) | Id: 4/6



Note:
The MAX214 DTE#/DCE pin accomplishes Null Modem within the chip itself. The default setting is DTE to allow connecting directly to a PC for file transfers. If the board is configured like a PC (DCE and DE9M), then a null modem cable will be needed. If the board is configured as a DTE, then only a gender changer would be needed for the DE9M. It depends on how the user is going to use the board.



Note: Damping RC network on STROBE# was specified in the original PC/AT spec but not in the application note for the TL16C552 UAR/Y.

Copyright (c) 2019 Richard Cini. All rights reserved.
Licensed for hobbyist use only.

Retro Brew Computing group

Sheet: /Serial Line Buffers/

File: RS232.sch

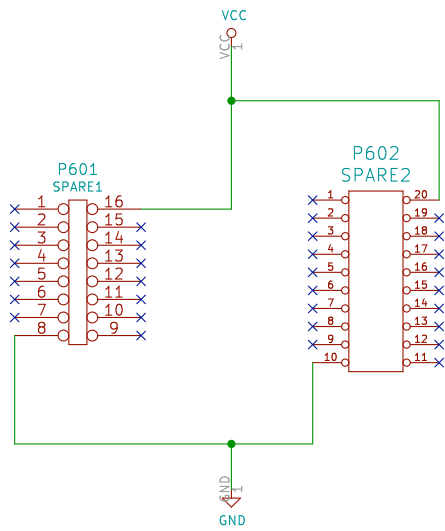
Title: ECB 2S1P Serial/Parallel Interface

Size: B | Date: 2019-12-23

Rev: 001

KiCad E.D.A. kicad (5.1.4-0-10.14)

Id: 5/6



Copyright (c) 2019 Richard Cini. All rights reserved.
 Licensed for hobbyist use only.

Retro Brew Computing group

Sheet: /Spare Gates & Footprints/
 File: Spares.sch

Title: ECB 2S1P Serial/Parallel Interface

Size: A4 Date: 2019-12-23
 KiCad E.D.A. kicad (5.1.4-0-10_14)

Rev: 001
 Id: 6/6