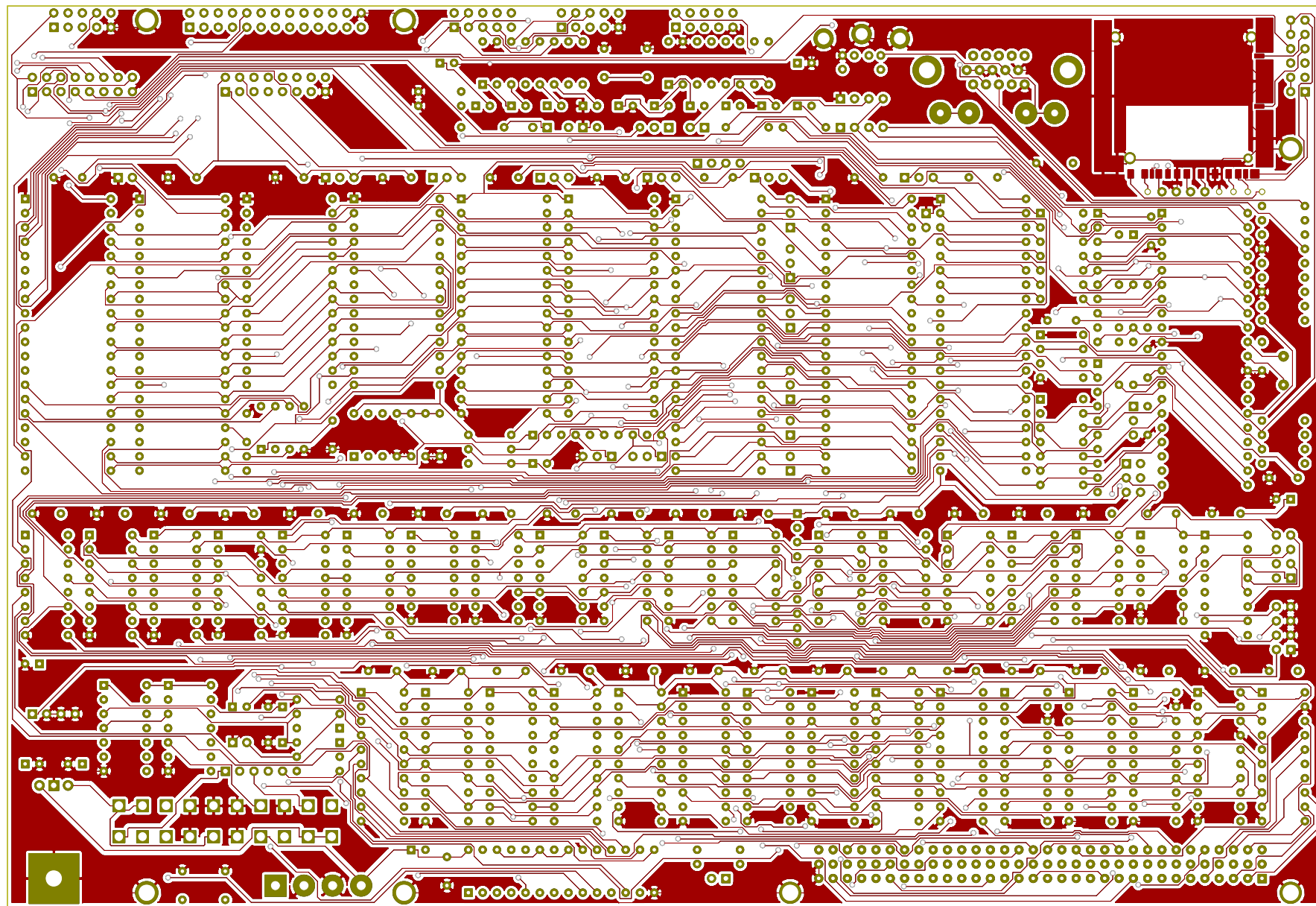


160mm x 233.35mm			
File: 6x0x-6U.brd			
Sheet: 1/1			
Title: outline VME size B			
Size: B	Date: 20 jun 2014		Rev: 2.00-013
KiCad E.D.A. pcbnew (2013-07-07 BZR 4022)-stable			Id: 1/1



160mm x 233.35mm

File: 6x0x-6U.brd

Sheet: 1/1

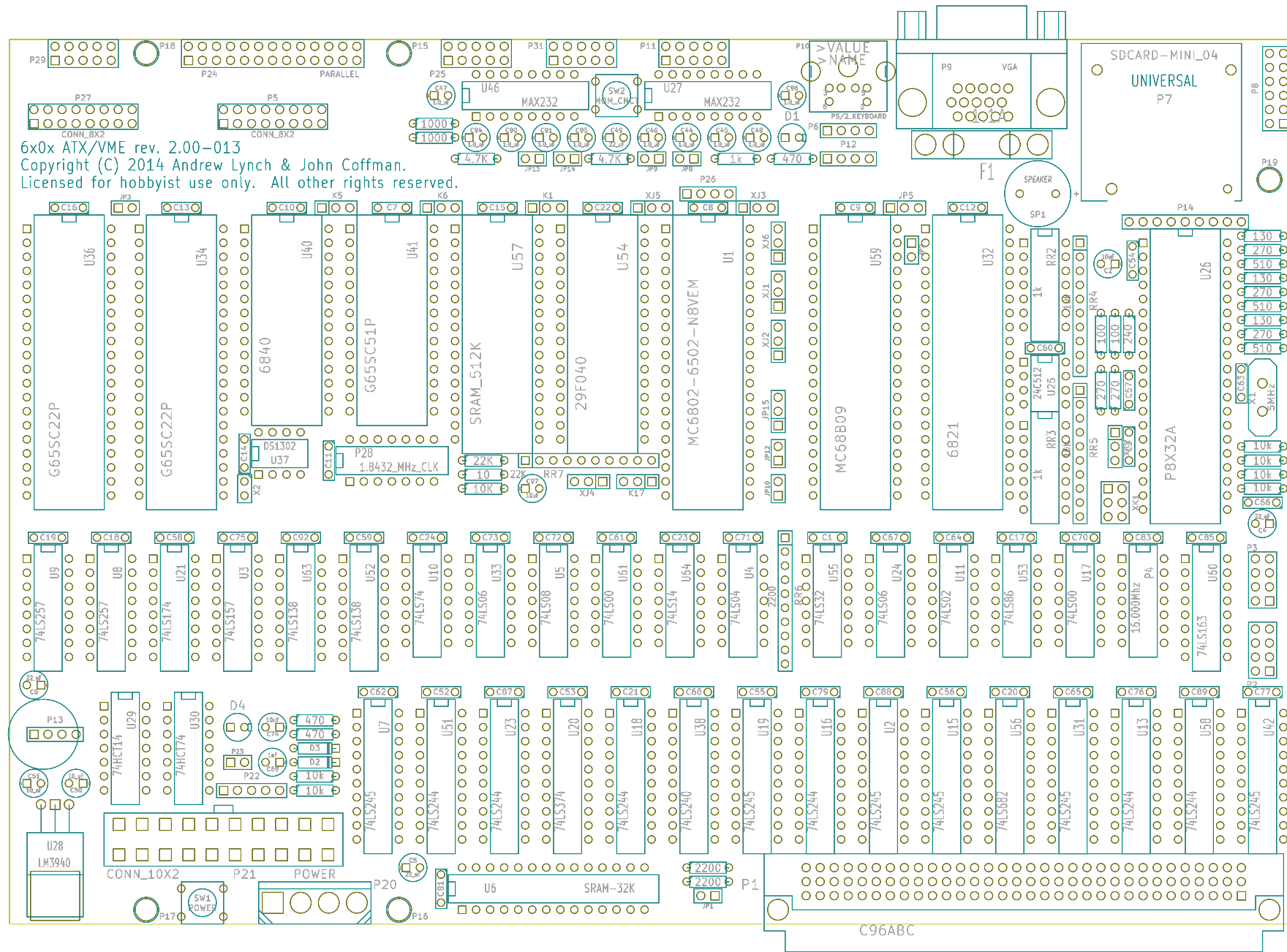
Title: outline VME size B

Size: B Date: 20 jun 2014

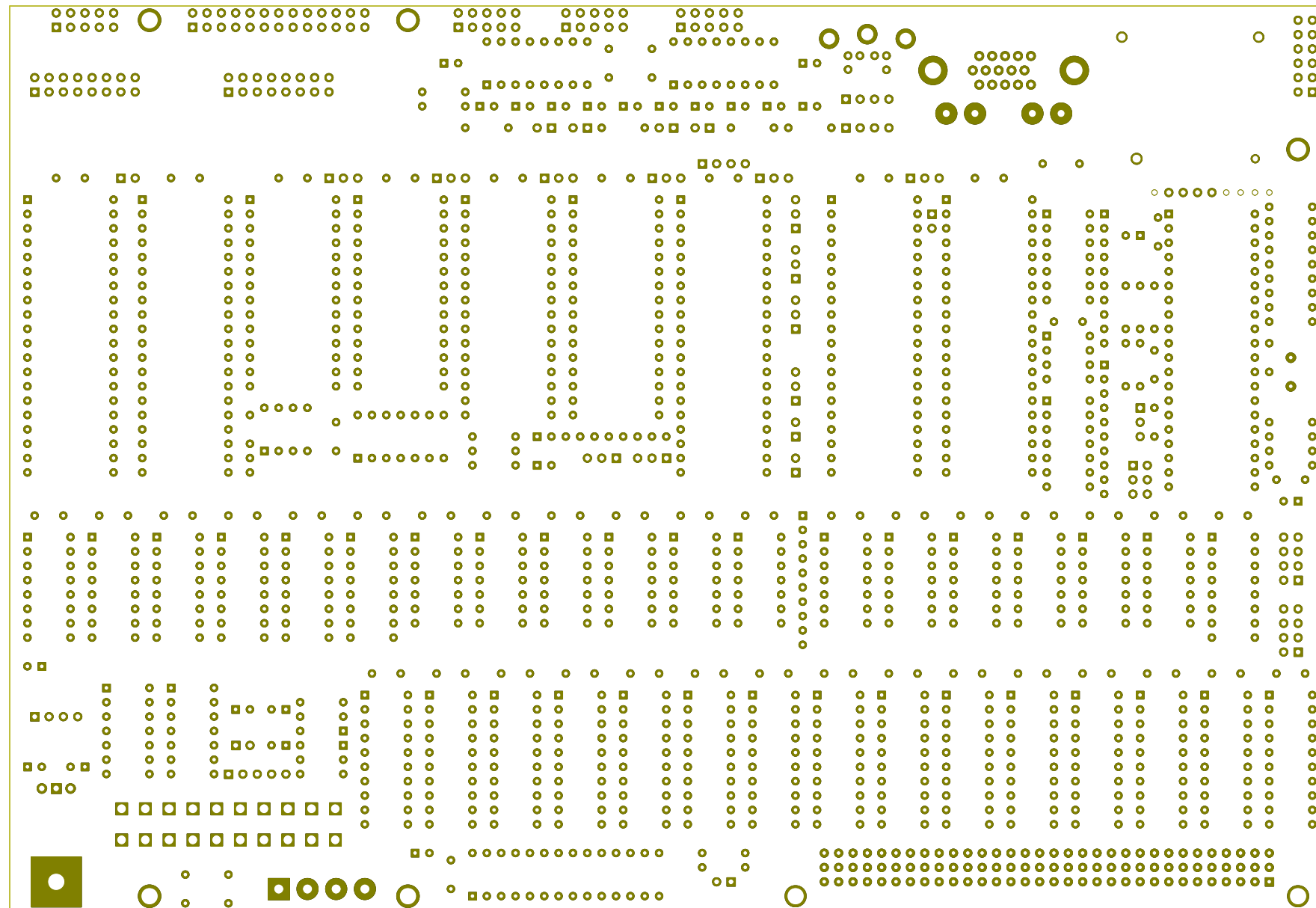
Rev: 2.00-013

KiCad E.D.A. pcbnew (2013-07-07 BZR 4022)-stable

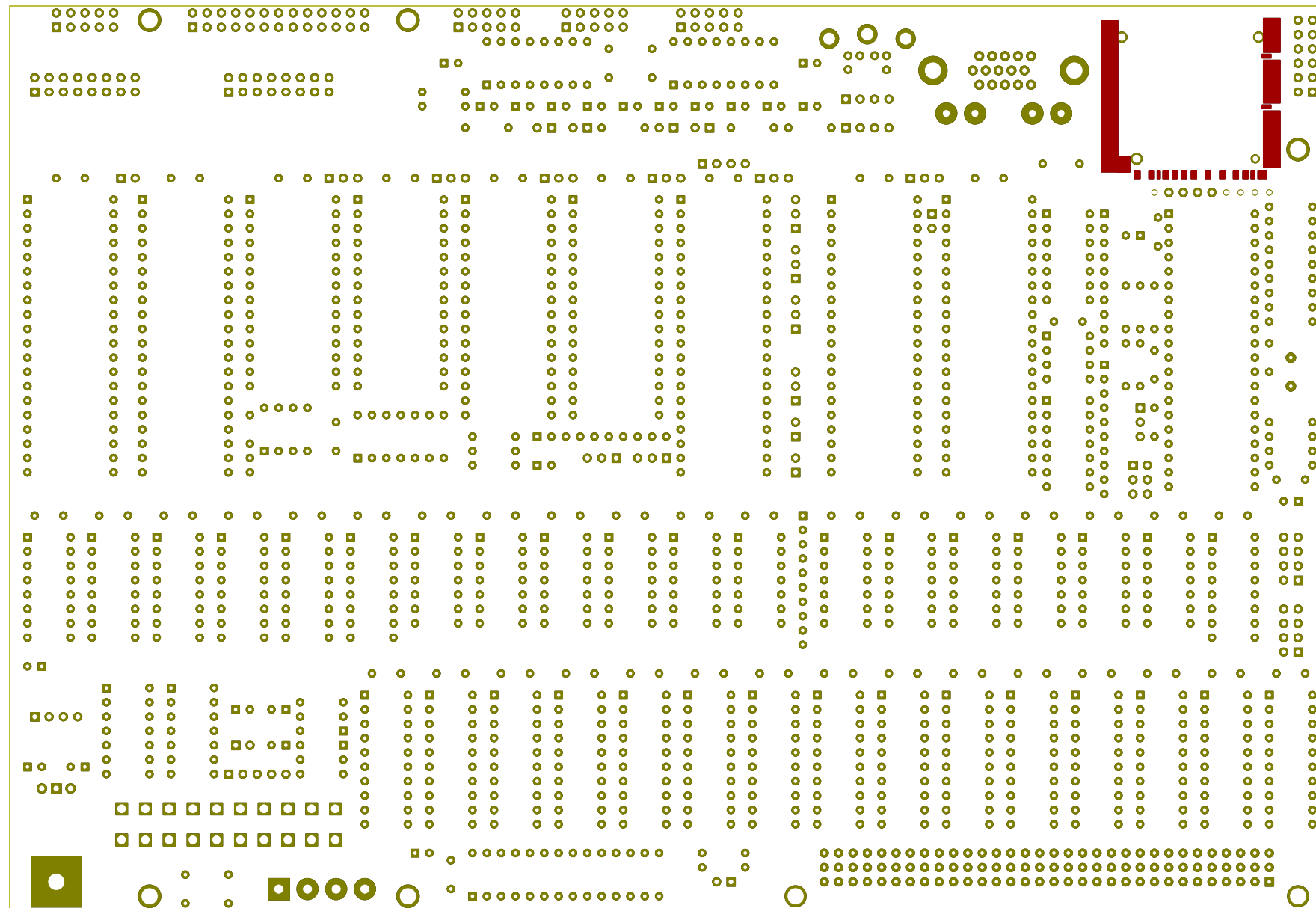
Id: 1/1



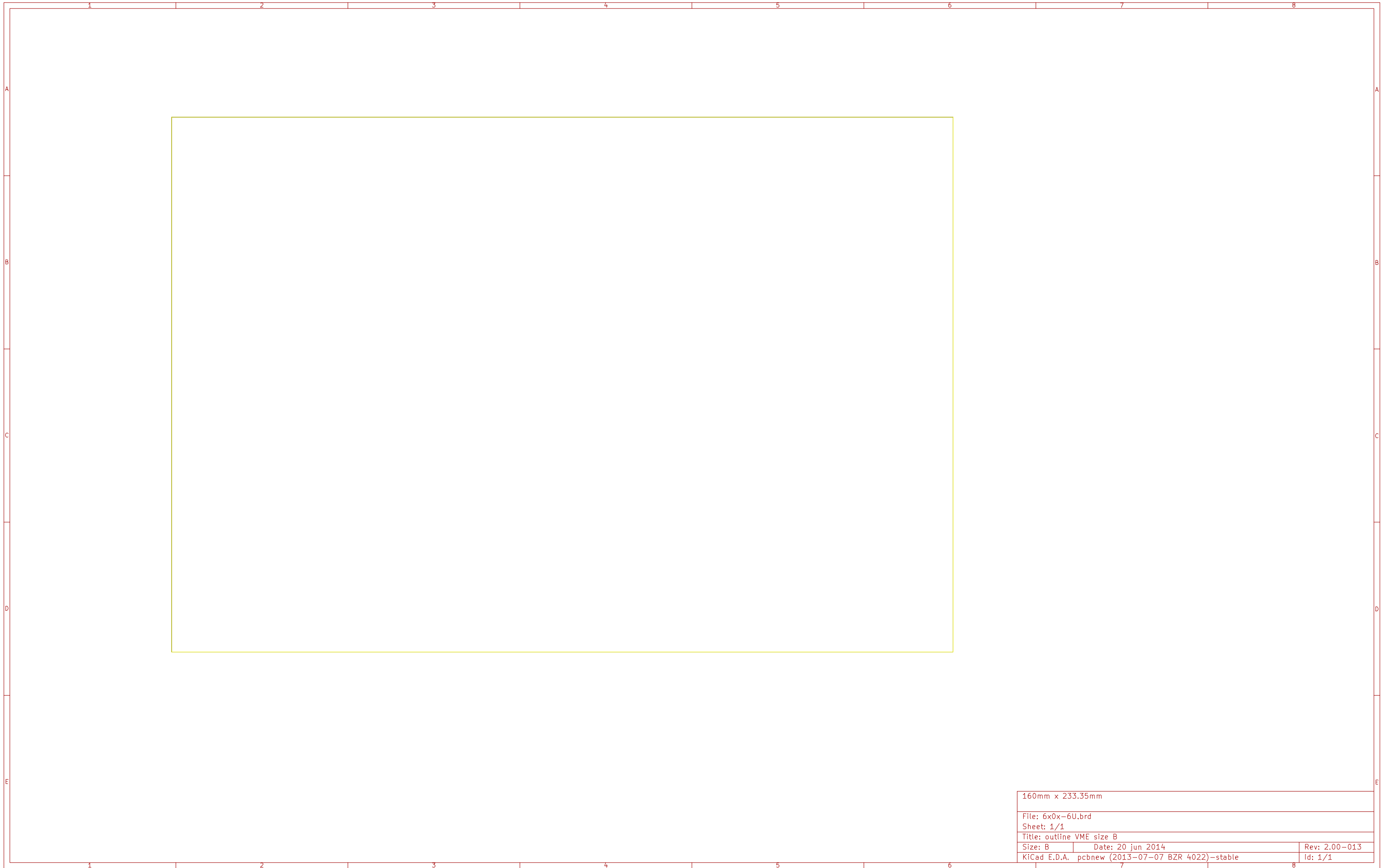
160mm x 233.35mm	
File: 6x0x-6U.brd	
Sheet: 1/1	
Title: outline VME size B	
Size: B	Date: 20 jun 2014
KiCad E.D.A. pcbnew (2013-07-07 BZR 4022)-stable	Rev: 2.00-013
	Id: 1/1

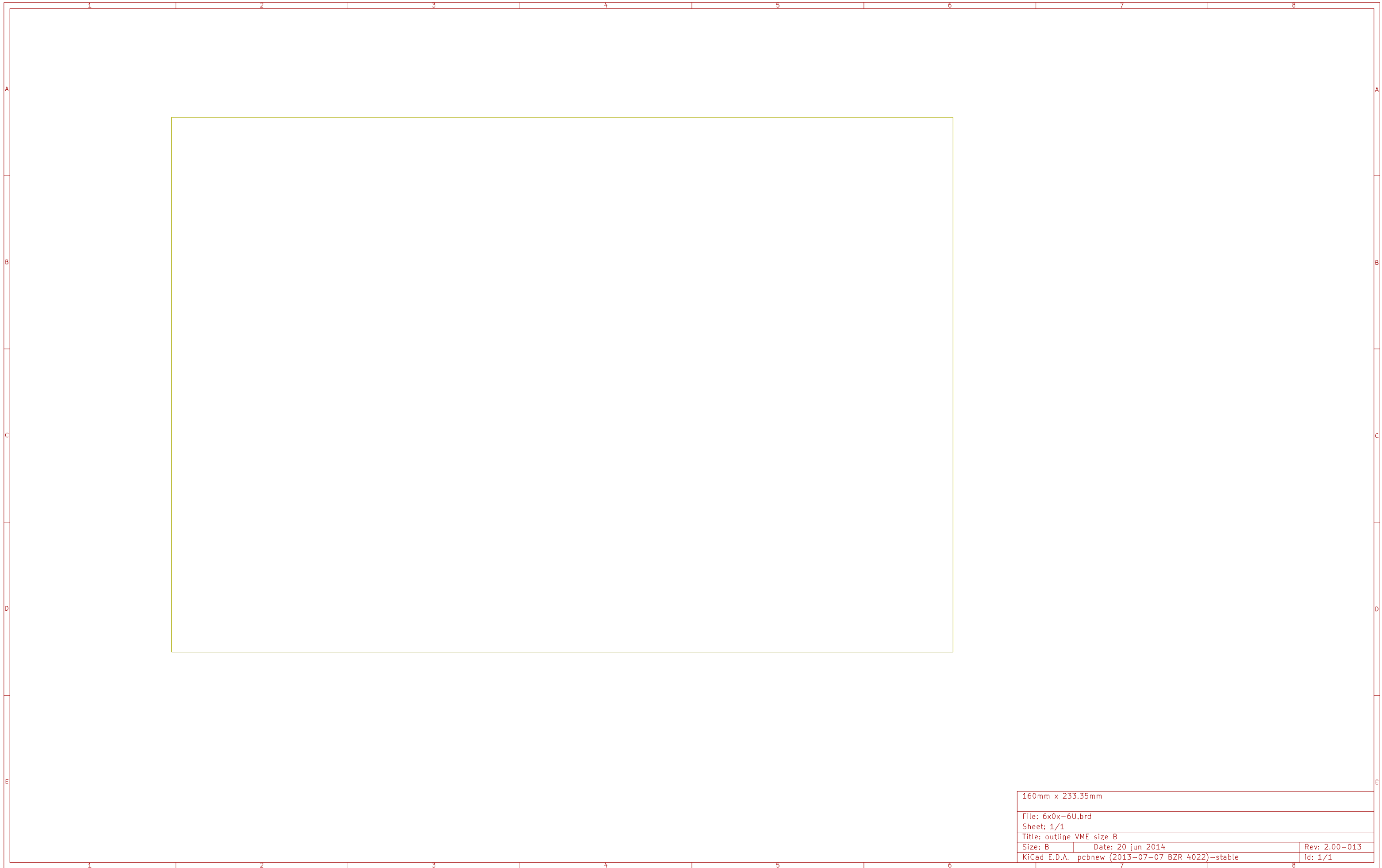


160mm x 233.35mm		
File: 6x0x-6U.brd		
Sheet: 1/1		
Title: outline VME size B		
Size: B	Date: 20 jun 2014	Rev: 2.00-013
KiCad E.D.A. pcbnew (2013-07-07 BZR 4022)-stable		Id: 1/1



160mm x 233.35mm		
File: 6x0x-6U.brd		
Sheet: 1/1		
Title: outline VME size B		
Size: B	Date: 20 jun 2014	Rev: 2.00-013
KiCad E.D.A. pcbnew (2013-07-07 BZR 4022)-stable		Id: 1/1





160mm x 233.35mm		
File: 6x0x-6U.brd		
Sheet: 1/1		
Title: outline VME size B		
Size: B	Date: 20 jun 2014	Rev: 2.00-013
KiCad E.D.A.	pcbnew (2013-07-07 BZR 4022)-stable	Id: 1/1