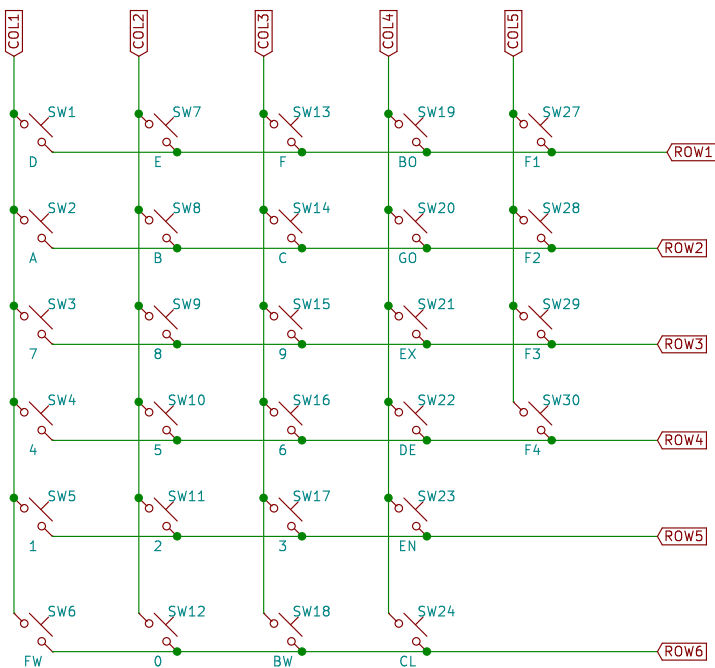


-  H1 MountingHole
-  H2 MountingHole
-  H3 MountingHole
-  H4 MountingHole
-  H5 MountingHole
-  H6 MountingHole

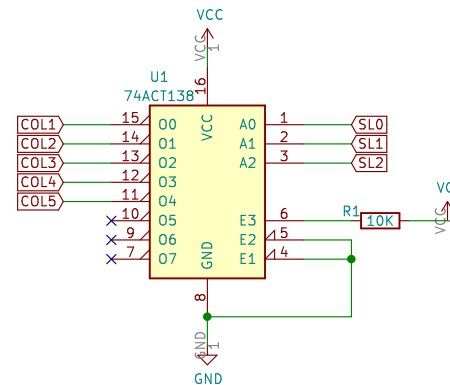
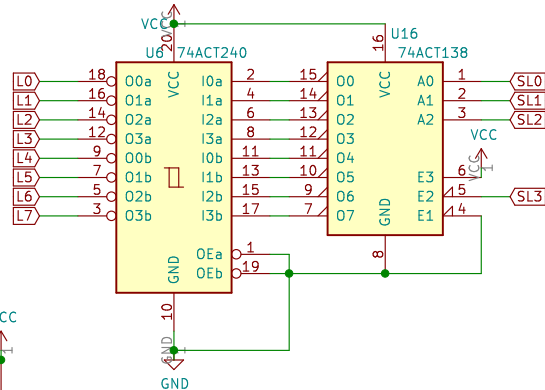
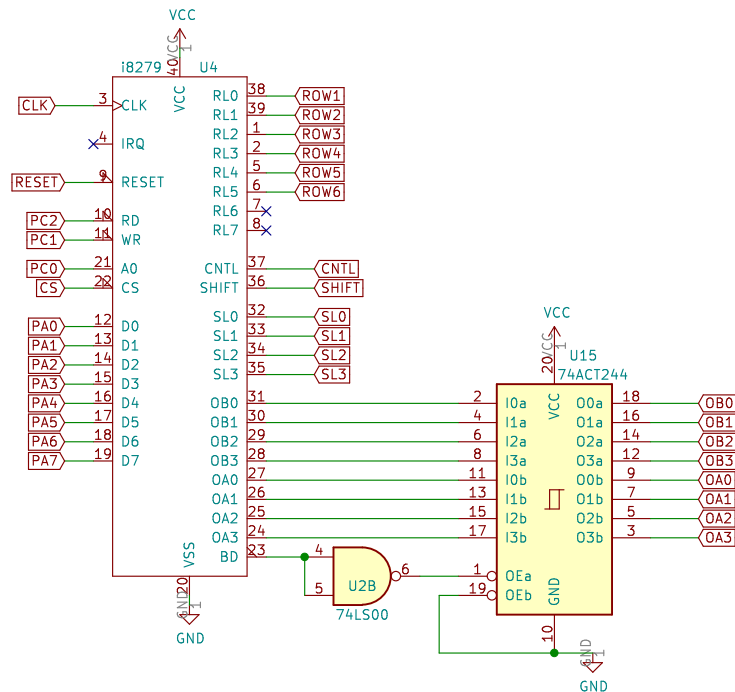
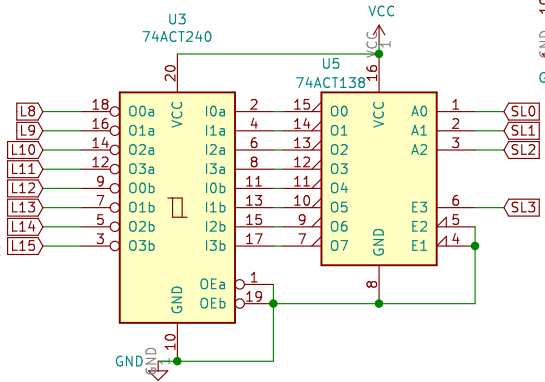
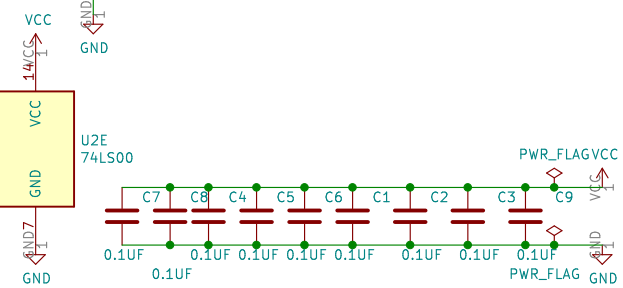
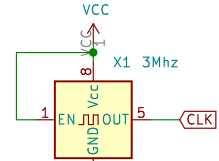
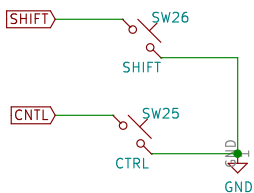


Sheet: Display Driver

File: DisplayDriver.sch

Sheet: IO

File: IO.sch



Sheet: /
File: NextGenDSKY.sch

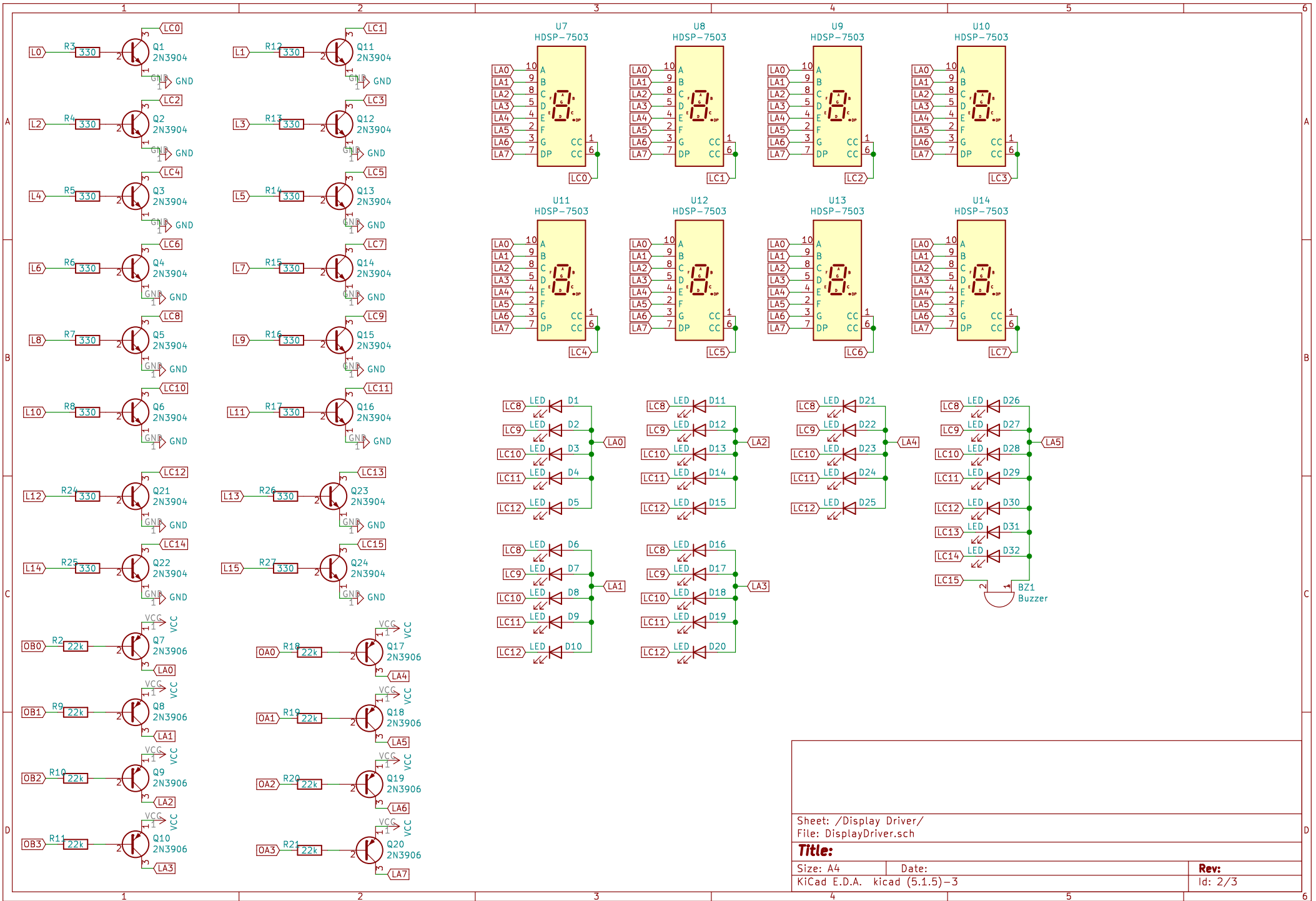
Title:

Size: A4
KiCad E.D.A. kicad (5.1.5)-3

Date:

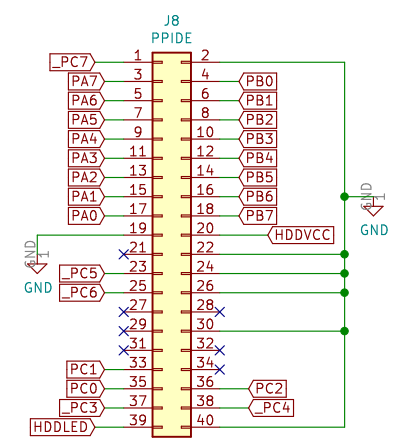
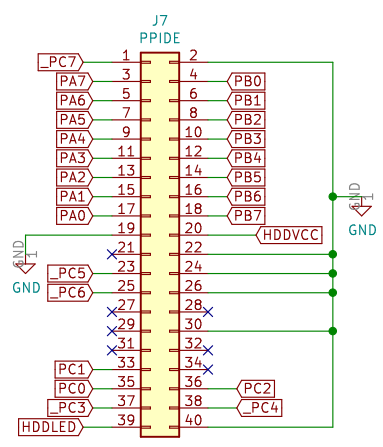
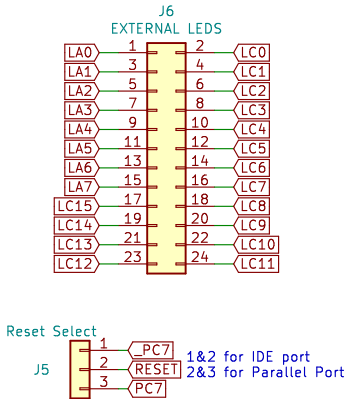
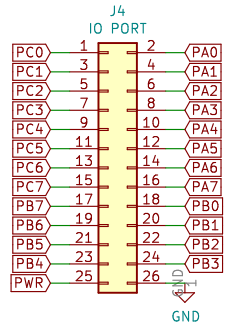
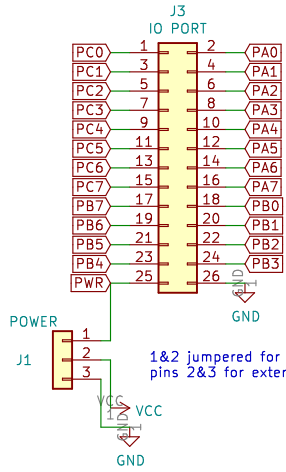
Rev:

Id: 1/3

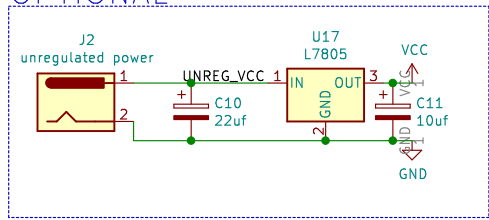


Sheet: /Display Driver/		File: DisplayDriver.sch	
Title:			
Size: A4	Date:	Rev:	
KiCad E.D.A. kicad (5.1.5)-3		Id: 2/3	

Note that only one of the IO Schemes should be used at once, use either the legacy IO port (and pass through) or the new PPIDE port (and pass through)



OPTIONAL



When using IDE connector, it is necessary to invert PC7 (reset) in software

