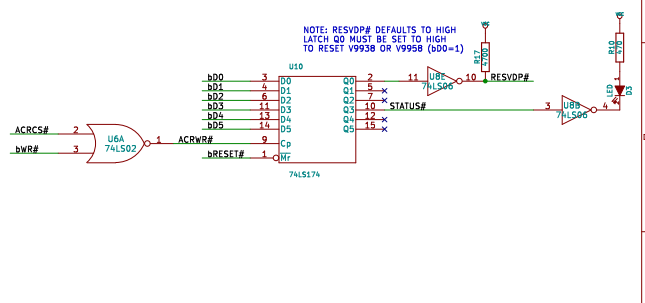
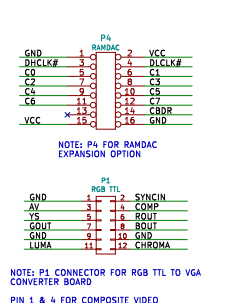
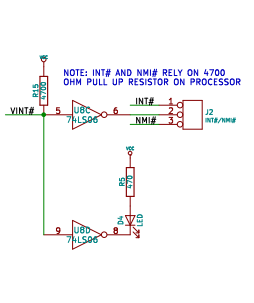
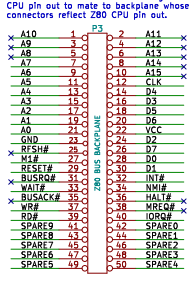
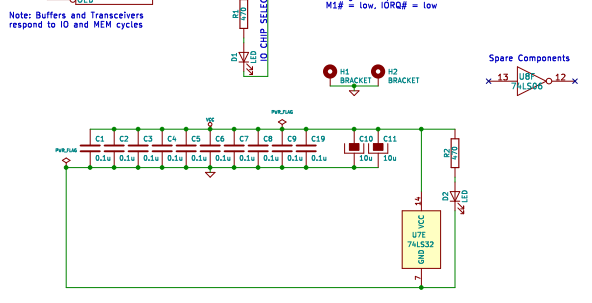
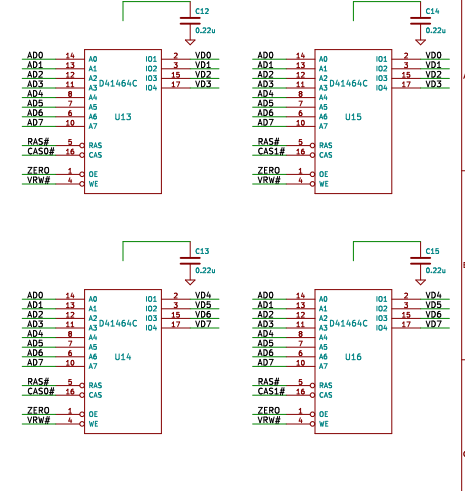
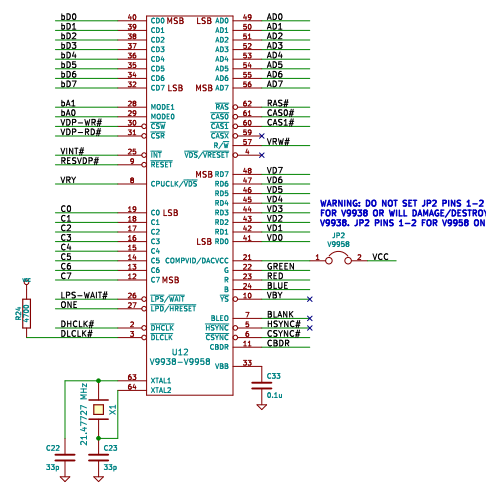


Note: ID Address Port 598-59F
 S1=off - A7 (high)
 S2=on - A6 (low)
 S3=on - A5 (low)
 S4=off - A4 (high)
 S5=off - A3 (high)
 S6 = A2 (no effect)
 S7 = A1 (no effect)
 S8 = A0 (no effect)

Note: WAIT# SIGNAL ONLY WORKS ON V9958 NOT V9938
 NOTE: WAIT# RELIES ON 4700 OHM PULL UP RESISTOR ON PROCESSOR

Note: Bus connector is mirror image of Z80 CPU pin out to mate to backplane whose connectors reflect Z80 CPU pin out.



NOTE: P1 CONNECTOR FOR RGB TTL TO VGA CONVERTER BOARD
 PIN 1 & 4 FOR COMPOSITE VIDEO
 PINS 2, 3, 5, 6, 7, 8, & 9 FOR RGB OUTPUT
 PINS 10, 11, & 12 FOR S-VIDEO
 NOTE: NO AUDIO ON RGB CONNECTOR

