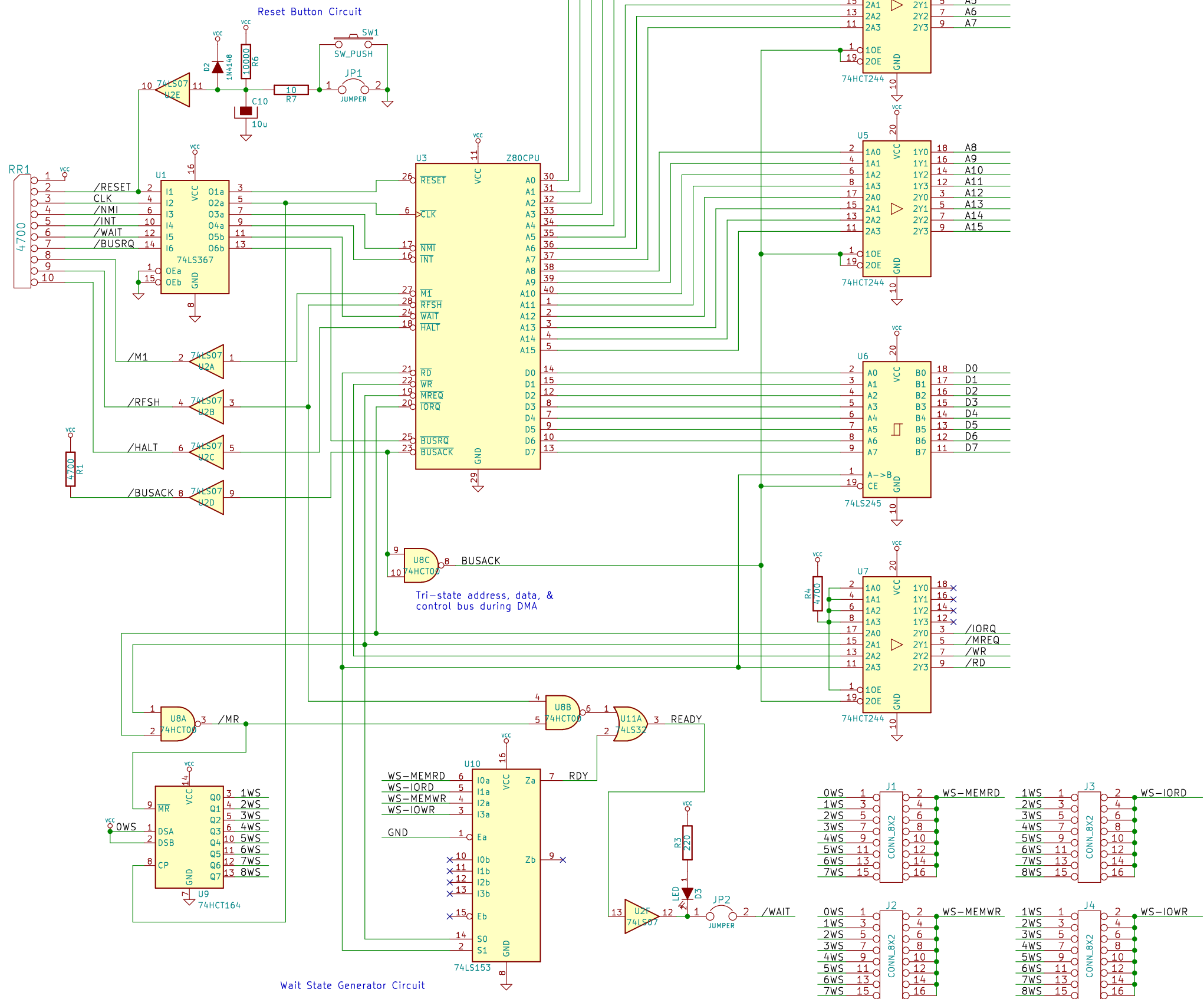


Note: Bus connector is mirror image of Z80 CPU pin out to mate to backplane whose connectors reflect Z80 CPU pin out.



A10	1	2	A11
A9	3	4	A12
A8	5	6	A13
A7	7	8	A14
A6	9	10	A15
A5	11	12	CLK
A4	13	14	D4
A3	15	16	D3
A2	17	18	D5
A1	19	20	D6
A0	21	22	VCC
GND	23	24	D2
/RFSH	25	26	D7
/M1	27	28	D0
/RESET	29	30	D1
/BUSRQ	31	32	/INT
/WAIT	33	34	/NMI
/BUSACK	35	36	/HALT
/WR	37	38	/MREQ
/RD	39	40	/IORQ
SPARE9	41	42	SPARE0
SPARE8	43	44	SPARE1
SPARE7	45	46	SPARE2
SPARE6	47	48	SPARE3
SPARE5	49	50	SPARE4

SPARE0	1
SPARE1	2
SPARE2	3
SPARE3	4
SPARE4	5
SPARE5	6
SPARE6	7
SPARE7	8
SPARE8	9
SPARE9	10

